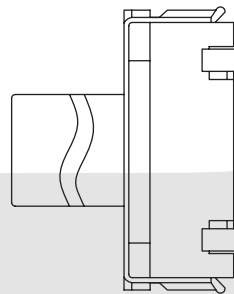
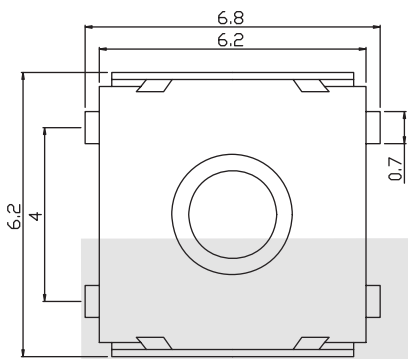
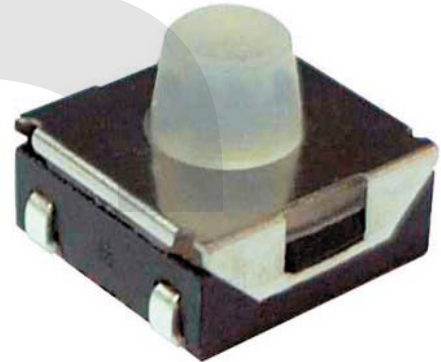


Tact Switch Series

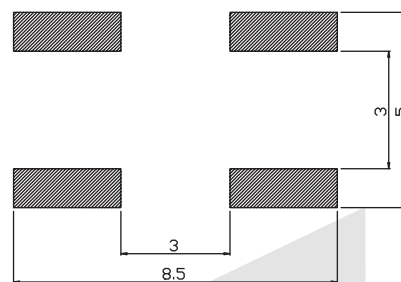
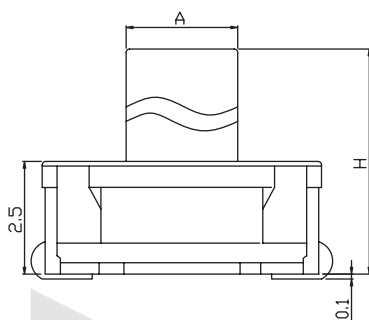
KLS7-TS6616 6x6 Tact Switch Series

ELECTRICAL

1. Rating: 50mA 12VDC
2. Contact Resistance : 50mΩ max(initial)
3. Insulation Resistance: 100MΩ(minDC 250V)
4. Dielectric Strength : AC250V(50/60Hz for 1minute)
5. Electrically Life: 100000cycles
6. Environment temperature: -20°C~+70°C
7. Operating Force: 180/250(±30gf)
8. Seal temperature: 260°C~ 280°C



H	A
3.4	2.9
5.1	2.5



PCB LAYOUT

ORDER INFORMATION

KLS7-TS6616 - 3.4 - 180 - B

Series No.

Height: 3.4mm/5.1mm

Packing: B=Bulk T=Tape

Operating Force : 180~250gf