

## Stereo Jack Series

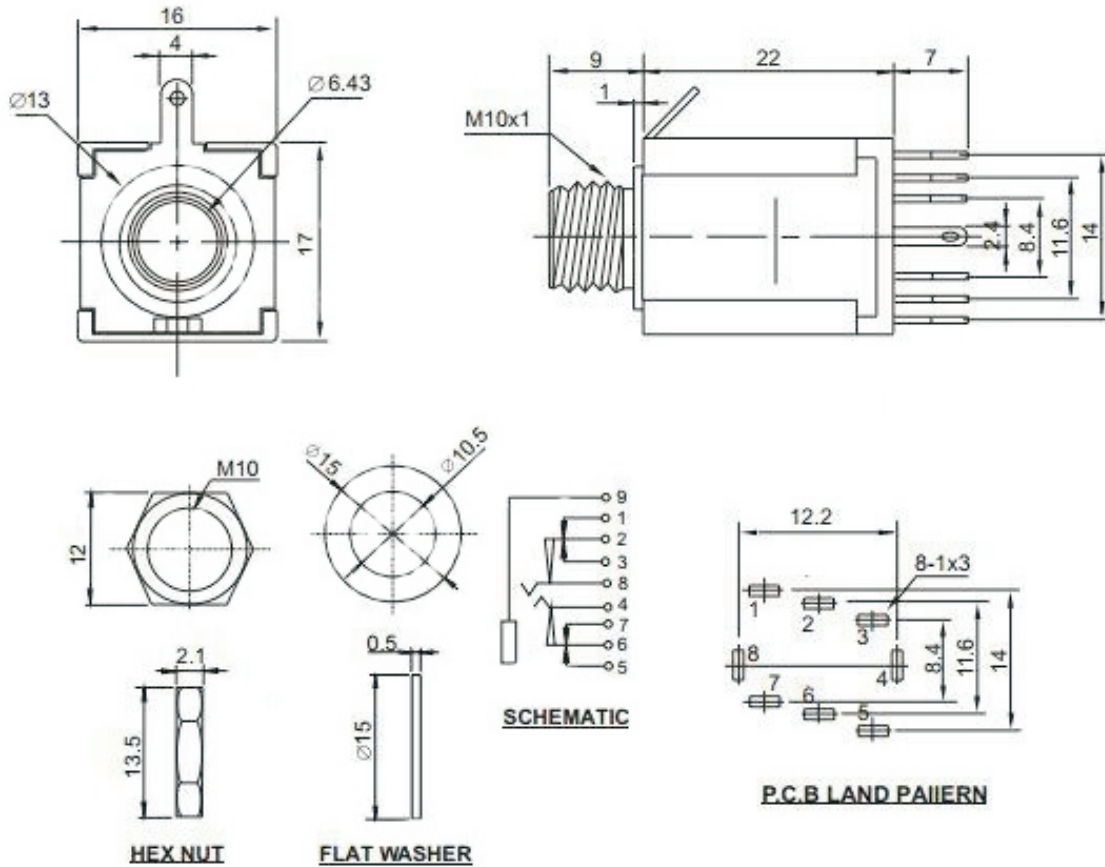
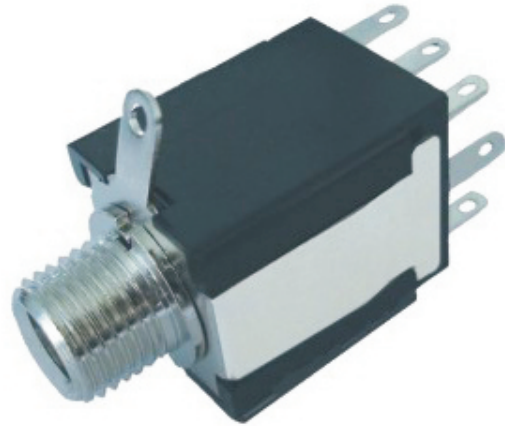
KLS1-TG6.3-005C (Stereo Jack Series)

### Technical parameters:

Rated voltage: DC 50 V  
 Rated current: 1 A  
 Contact resistance: 30mΩ  
 Insulation resistance: Over100MΩ on DC 500V measured.  
 Insertion Force :5-35 N  
 Life: 50000 times  
 Operating Temperature: -30°C ~ 70°C

### Material:

Housing: ABS  
 Earth Spring: Brass



## ORDER INFORMATION

Product NO.: L-KLS1-TG6.3-005C

Pos. NO. \_\_\_\_\_ Serial Number \_\_\_\_\_  
 6.3mm Stereo Jack Series \_\_\_\_\_