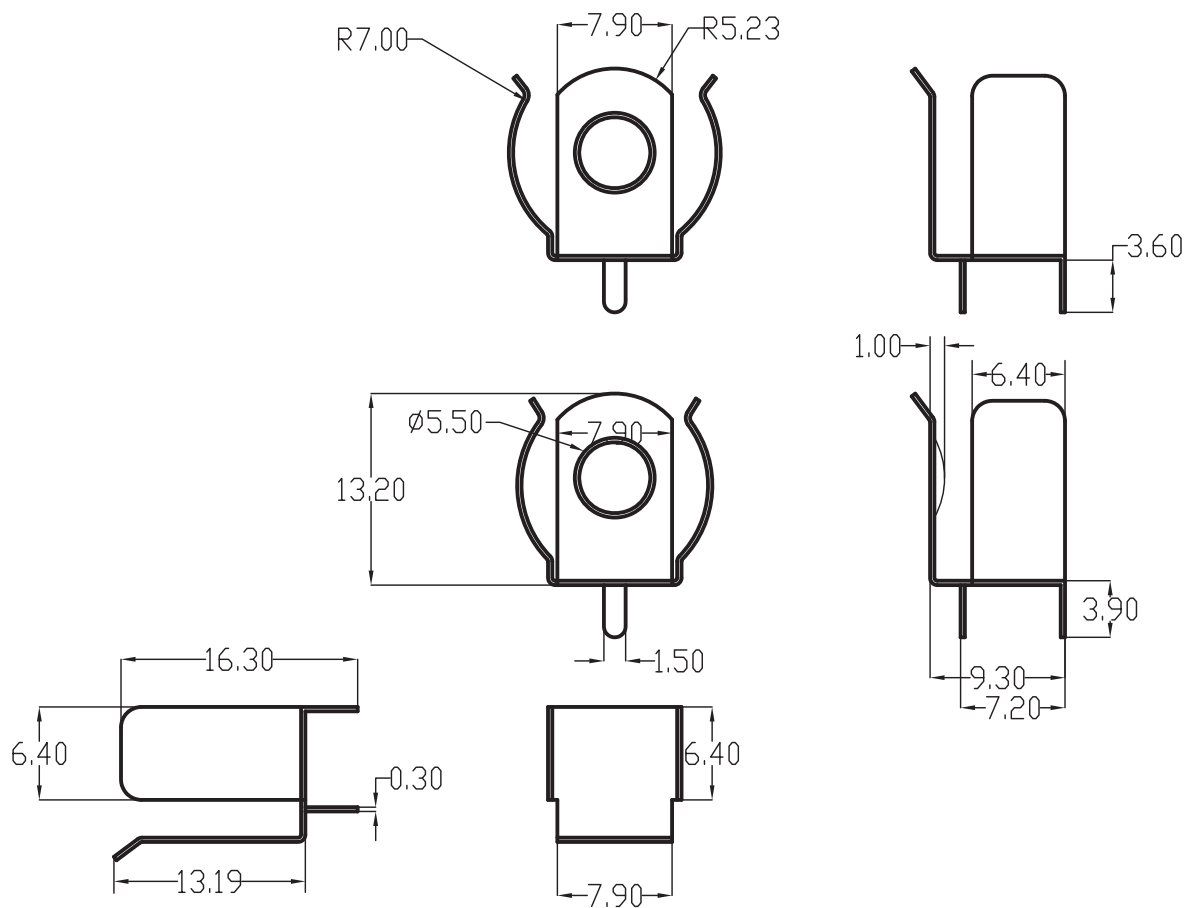


Coin Cell Holders

KLS5-2915 Snap-in battert holder

- Available for "A" • "AA" • "AAA" • "AAAA" • "N" size batteries
- Mounts securely to the PC board with advanced "Snap-In" design for thru hole mounting
- "Snap-In" clip holds firmly for wave soldering
- Reliable spring tension assures low contact resistance
- Low profile, economical design
- Retains battery securely to withstand shock and vibration

MATERIAL:
Spring Steel Tin Nickel Plate



ORDER INFORMATION

Product NO.: KLS5-2915

