

Push Switches

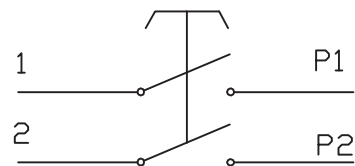
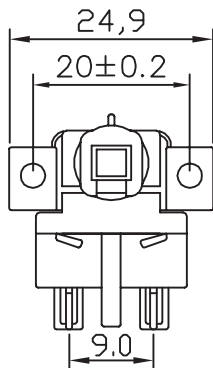
KLS7-PS-004 Push Switches

Electrical :

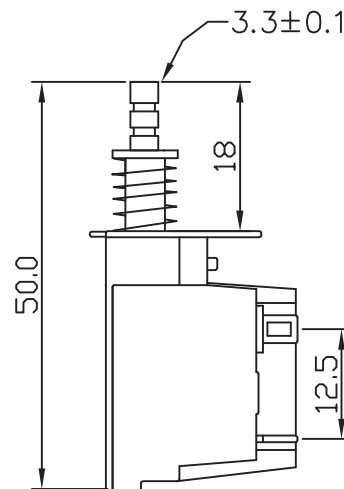
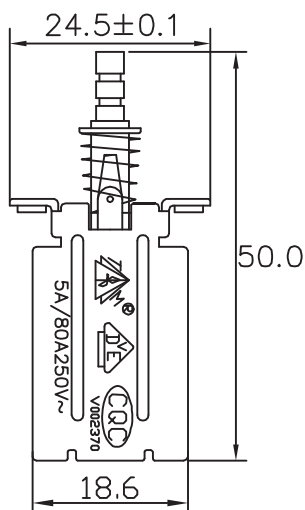
Electrical Rating:5A/80A 250VAC
Ambient temperature:-25°C ~ +85°C
Contact Resistance:50mΩ Max.
Insulation Resistance:100MΩ Min.
Dielectric strength:≥1500V;
Between terminals and frame≥3000V

Mechanical:

Actuating Force:5±3N
Life:10000 cycles



Circuit diagram



ORDER INFORMATION

KLS7-PS-004-L

Part Number

Switches No.

Function:L=Lock,N=Unlock