

RCA JACK Series

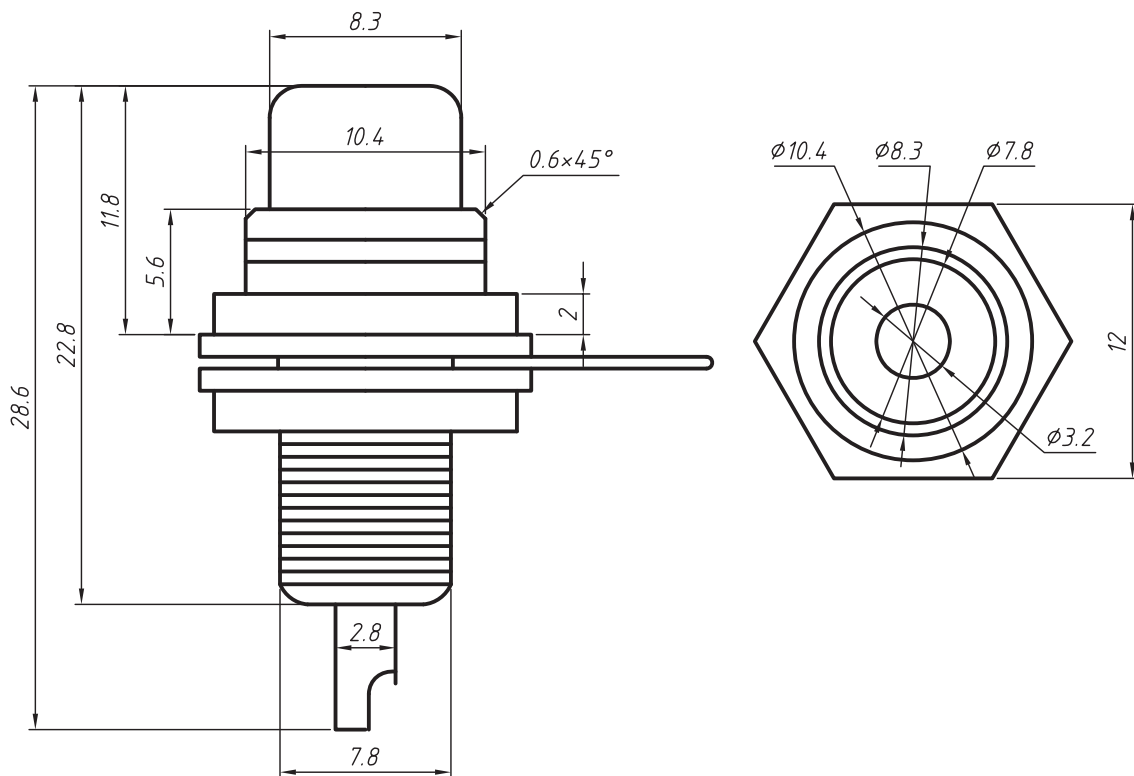
KLS1-RCA-113 RCA Connector Gold Plated

Electrical Specification:

Contact resistance : 30mΩ Max
Insulation resistance : 50MΩ Min at DC 500V
Withstand voltage : AC 500V(50Hz) 1min
Operating Temperature : -25°C~+85°C

Materials:

Contacts : Brass,Gold Plated
Housing : Brass,Gold Plated



ORDER INFORMATION

Product NO.: L-KLS1-RCA-113-G-R

