

## RCA JACK Series

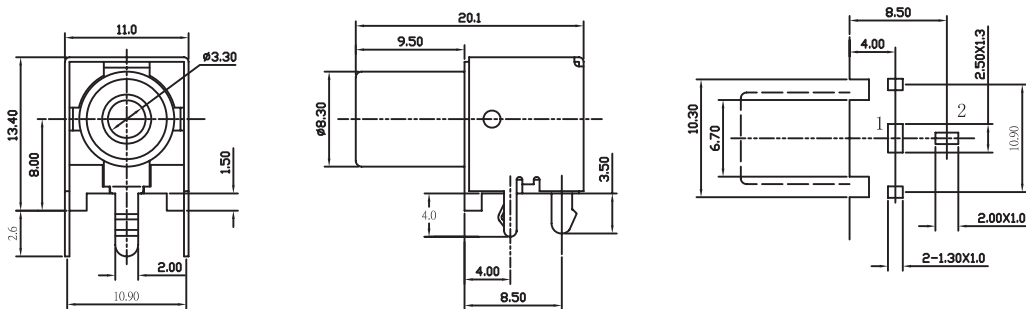
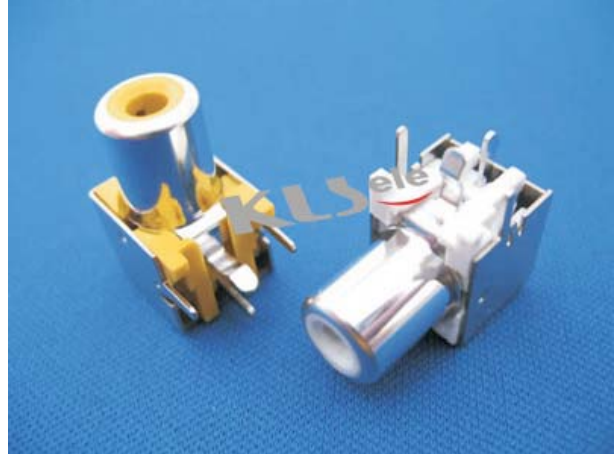
KLS1-RCA-112 Metal R/A PCB Mount RCA Jack

### Electrical Specification:

Contact resistance : 30mΩ Max  
 Insulation resistance : 50MΩ Min at DC 500V  
 Withstand voltage : AC 500V(50Hz) 1min  
 Operating Temperature : -25°C~+85°C

### Materials:

Housing : PBT UL94V~0  
 Outer Contact : Brass  
 Terminal : Brass  
 Shield : Steel



T:1.6 Dimensions of PC board holes  
 Tolerance :  $\pm 0.1$ (Printed-top view)

MODEL NO.	RCA-112
SCHEMATIC	

## ORDER INFORMATION

Product NO.: KLS1-RCA-112-N-R

Pos. NO. \_\_\_\_\_  
 RCA Jack Type \_\_\_\_\_  
 N:NickelPlated \_\_\_\_\_  
 Color: R:Red  
 B:Black  
 Y:Yellow  
 W:White