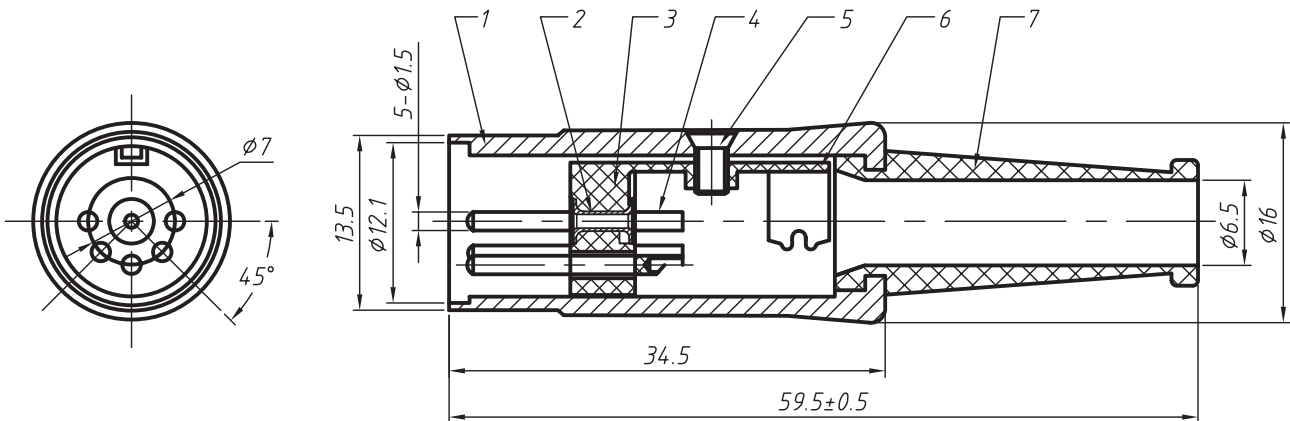


Mini Din Connectors* Din Connectors

KLS1-2295 Din Connectors

Material:

1. Zinc shell: ZZnAL4-1, nickel-plated
2. Rivets: H62, nickel-plated
3. Plastic capsules: PBT
4. Pin: H59-1
5. Screws: A3, silver plated
6. Terminals: H62, nickel-plated M2.5 * 5.5
7. Tail sets: PVC, nickel-plated



| PIN | 3P | 4P | 5P 180° | 5P 45° | 5P 60° | 6P | 7P | 8P |
|------------------------|----|----|---------|--------|--------|----|----|----|
| Arrangement Of Contact | | | | | | | | |

ORDER INFORMATION

Product NO.: KLS1-2295-XP-XXX

