

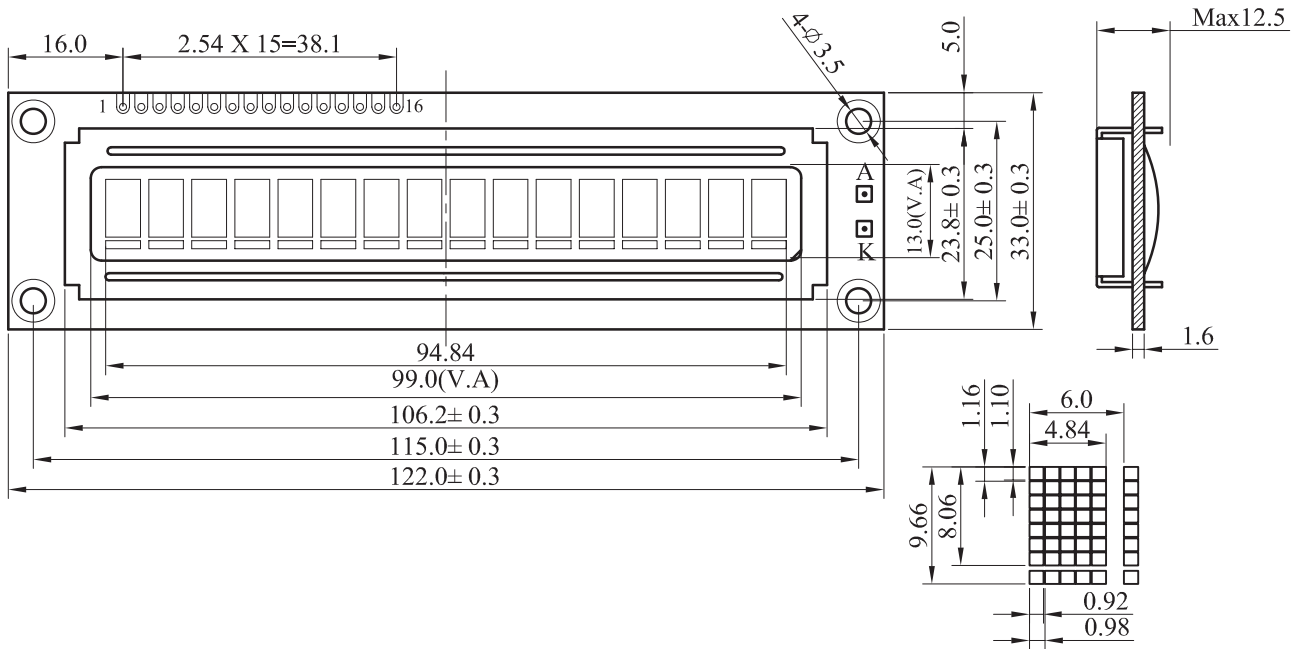
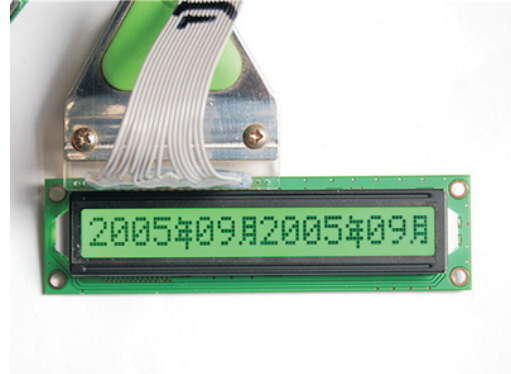
Character Type LCD Module

KLS9-1601C 16 Characters x 1 Line 1/16 duty 1/5 bias
Yellow-Green or Blue mode STN Transflective

IX

Explain :

Display: 16 Characters x 1 Line
Outline:(LxWxH)/mm:122.0*33.0*12.5
Dot: 0.6x0.75
Driver Condition: 1/16 duty 1/5 bias
Controller: KS0069 or Eqv.
Operating Temp.: -10°C~+60°C



ORDER INFORMATION

L-KLS9-1601C

Part Number

Display: 16 Characters x 1 Line

Character Type LCD Module

KLS9-1601C 16 Characters x 1 Line 1/16 duty 1/5 bias
Yellow-Green or Blue mode STN Transflective



ABSOLUTE MAXIMUM RATINGS

Item	Symbol	Min.	Max.	Unit
Supply Voltage(Logic)	Vdd - Vss	-0.3	7.0	V
Supply Voltage(LCD)	Vdd - V0	-0.3	5.0	V
Input Voltage	Vi	-0.3	Vdd + 0.3	V
Operating Temp.	Topr	0	50	°C
Storage Temp.	Tstg	-10	60	°C

MECHANICAL DATA

Item	Max.	Unit
Module Size (W X H X T)	122.0 X 33.0 X 12.5	mm
Viewing Area(W X H)	99.0 X 13.0	mm
Character Size(W X H)	4.84 X 9.66	mm
Dot Size(W X H)	0.92 X 1.10	mm
View Angle	6 or 12 O'Clock	

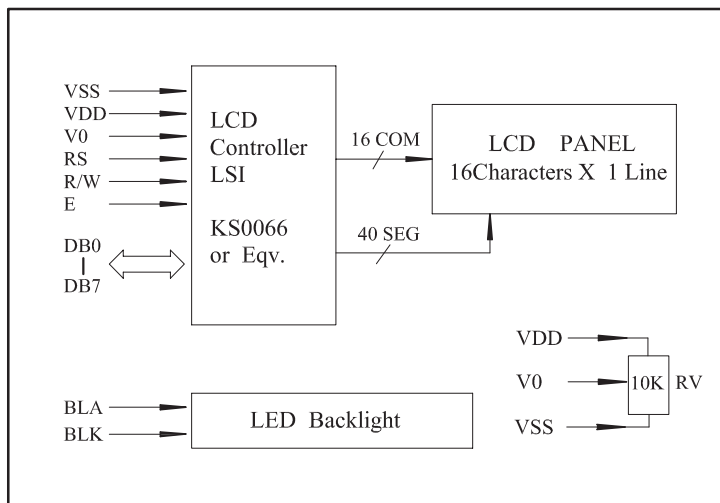
ELECTRICAL CHARACTERISTICS (Vdd=5V± 0.25V)

Item	Symbol	Test Condition	Min.	Typ.	Max.	Unit
Input High Voltage	Vih	--	2.0	--	Vdd	V
Input Low Voltage	Vil	--	-0.3	--	0.8	V
Output High Voltage	Voh	Ioh=-0.2mA	2.4	--	Vdd	V
Output Low Voltage	Vol	Iol=-1.6mA	0	--	0.4	V
Supply Current	Idd	Vdd=5.0V	--	1.0	2.0	mA
LCD Driving Voltage	Vdd - V0	Ta=25 °C	--	4.7	--	V

PIN CONNECTIONS

Pin	Symbol	Level	Function
1	VSS	0V	Power GND
2	VDD	+5V	Power supply for logic
3	V0	--	Operation voltage for LCD
4	RS	H/L	H:Data L:Instruction code
5	R/W	H/L	H:Read L:Write
6	E	H/L	Enable signal
7	DB0	H/L	Data bus line
8	DB1	H/L	
9	DB2	H/L	
10	DB3	H/L	
11	DB4	H/L	
12	DB5	H/L	
13	DB6	H/L	
14	DB7	H/L	
15	BLK	0V	Power supply for LED backlight
16	BLA	+5V	

BLOCK DIAGRAM



LCD Type

LCD Color	Backlight
Yellow Green	LED/Yellow Green/4.1V (< 250mA)
Blue	LED/White /3.2V (< 100mA)

ORDER INFORMATION

L-KLS9-1601C

Part Number _____ Display: 16 Characters x 1 Line