

RF Cable Assemblies * Antennas

KLS1-DINF-78L RF Coaxial Connectors

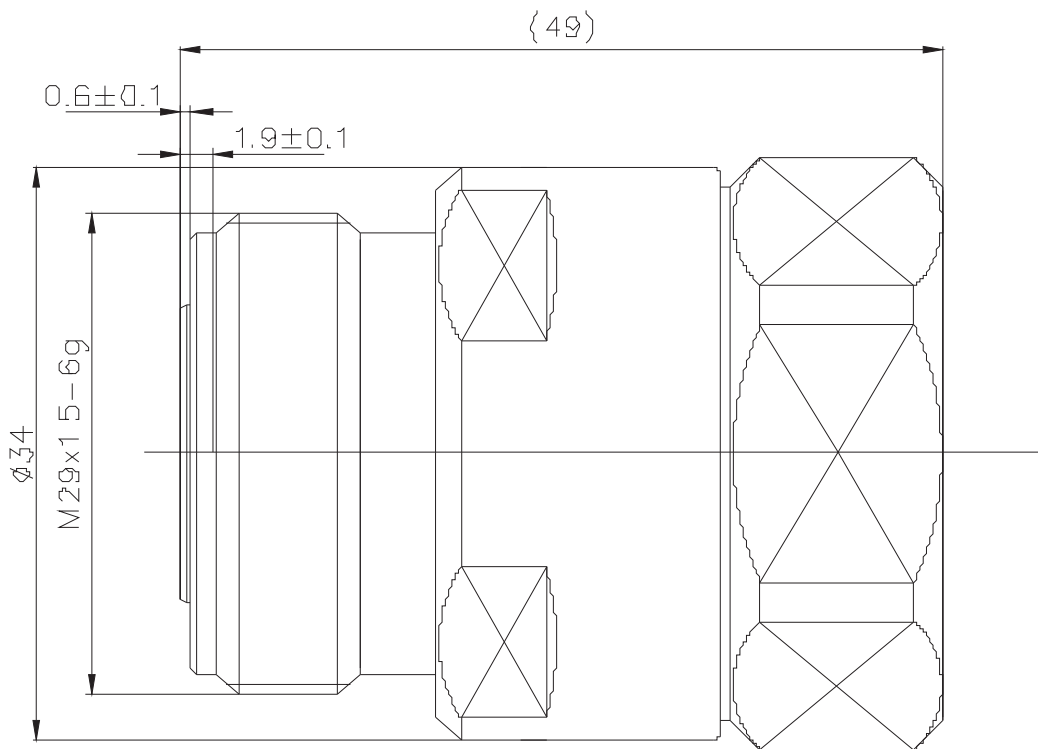
Technical parameters:

Impedance: 50Ω
 Frequency Range: DC ~ 3GHz (50Ω);
 Working Voltage: 2700V max
 Withstand Voltage: 4000V rms
 Contact resistance: Center Contact: ≤0.4 mΩ ;
 Outer Contact: ≤1.5 mΩ

Insulation resistance: ≥ 10000 MΩ
 VSWR Straight: ≤ 1.15 (0.8-2.5GHz)
 Durability (mating): ≥ 500 (cycles)
 Temp. range: -55°C ~ +155°C
 Vibration: 100m/s² (10 ~ 500Hz)

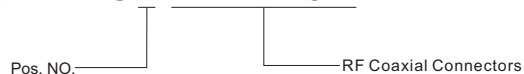
MATERIAL & PLATING

Shell: Brass, Nickel-plating
 Contact pin: Tin brass, silver-plating
 Insulator: PTFE
 O-ring sealing: 6146 silastic



ORDER INFORMATION

Product NO.: KLS1-DINF-78L



RF Cable Assemblies * Antennas

KLS1-DINM-78L RF Coaxial Connectors

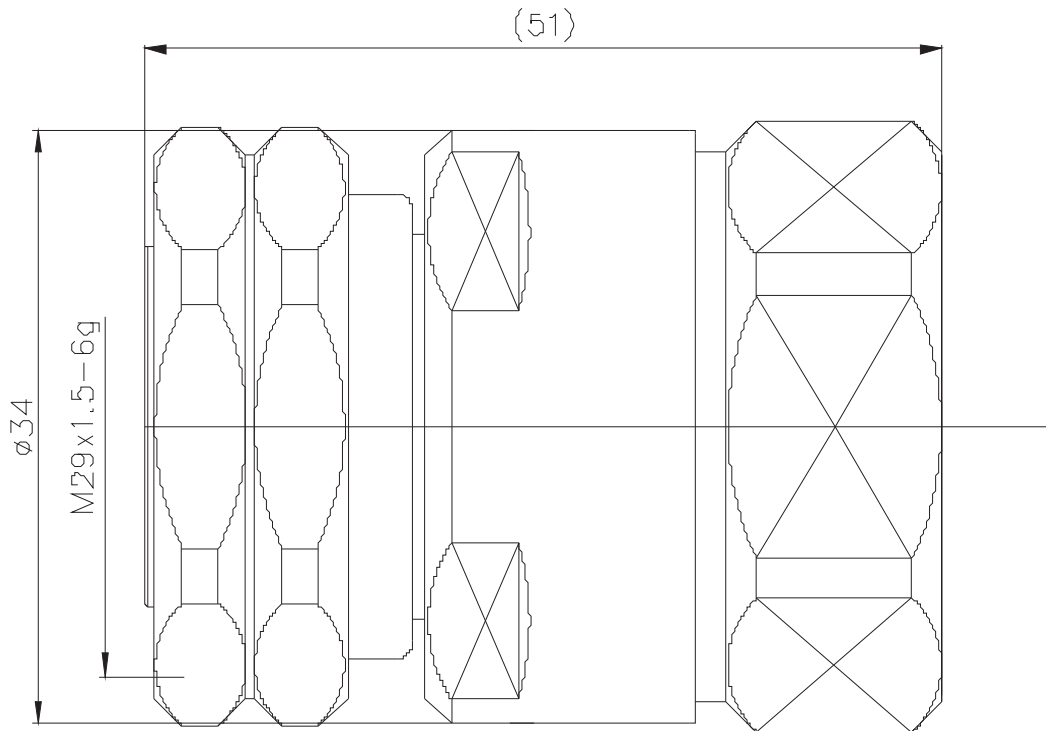
Technical parameters:

Impedance: 50Ω
 Frequency Range: DC ~ 3GHz (50Ω);
 Working Voltage: 2700V max
 Withstand Voltage: 4000V rms
 Contact resistance: Center Contact: ≤0.4 mΩ ;
 Outer Contact: ≤1.5 mΩ

Insulation resistance: ≥ 10000 MΩ
 VSWR Straight: ≤ 1.15 (0.8-2.5GHz)
 Durability (mating): ≥ 500 (cycles)
 Temp. range: -55°C ~ +155°C
 Vibration: 100m/s² (10 ~ 500Hz)

MATERIAL & PLATING

Shell: Brass, Nickel-plating
 Contact pin: Tin brass, silver-plating
 Insulator: PTFE
 O-ring sealing: 6146 silastic



ORDER INFORMATION

Product NO.: KLS1-DINM-78L

