

# Circular Connector



## Aviation Plug M19 Series

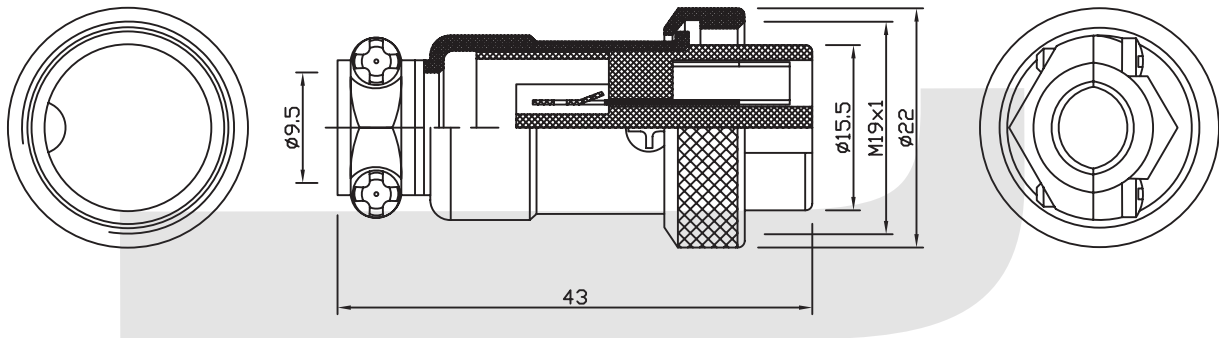
### KLS15-225-M19 Aviation Plug Series

Safety approval : UL Water proof IP≥55  
Subminiature aviation linkers are widely used for the Hi-Tech trade. The appearances of the products has two kinds, plug-type and thread type. Used in the installation of the panel, small, exquisite and sensitive. It's nickel-plated and easy to plug-in.



**Electrical Characteristics:**

Number of Contacts:	2~5P	6~7P	8P	10、12、14P
Rated current :	10A	7A	5A	3A
Rated Voltage:	150V	150V	125V	125V
Operation Voltage (VAC):	400	300	250	200
Withstanding Voltage :	1500 VAC			
Insulation resistance :	2000MΩ DC 500V			
Contact resistance:	10 mΩ DC1A			
Contact Diameter : (mm)	2.95	2	1.5	

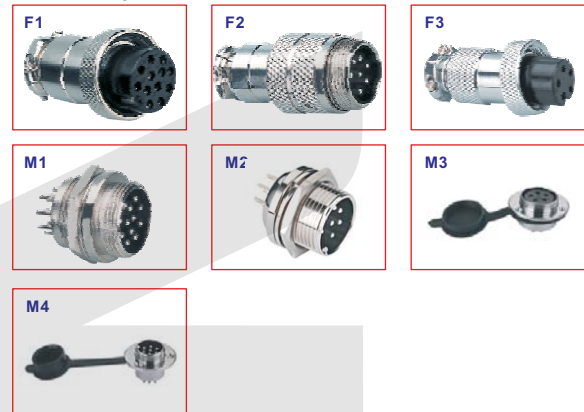
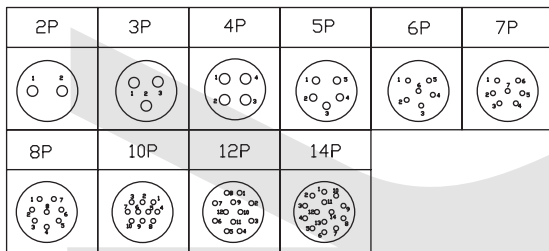


## ORDER INFORMATION

Product No.: KLS15-225-M19-2 F1

Pos. No. \_\_\_\_\_  
Dental regulations: M19 \_\_\_\_\_  
Number of Contacts: 2、3、4、5、6、7、8、10、12、14P \_\_\_\_\_

TYPE Ordering



# Circular Connector



## Aviation Plug M19 Series

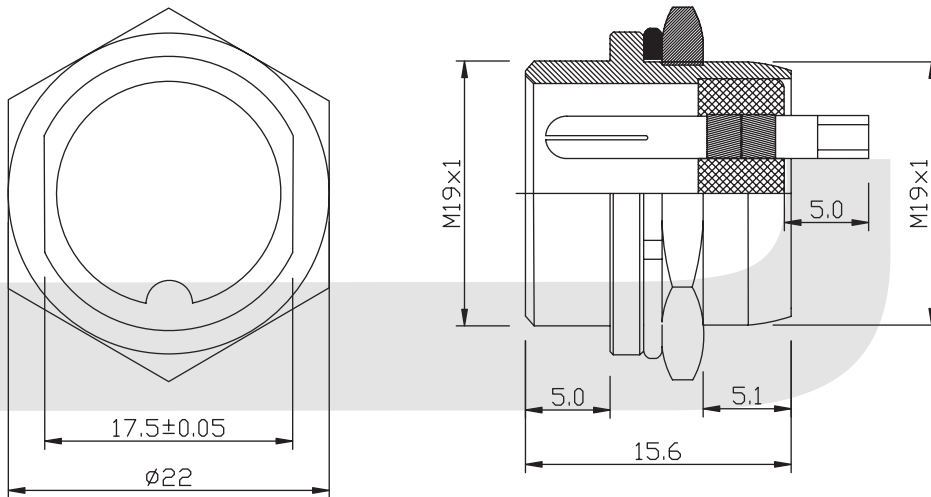
### KLS15-225-M19 Aviation Plug Series

Safety approval : UL Water proof IP≥55  
Subminiature aviation linkers are widely used for the Hi-Tech trade. The appearances of the products has two kinds, plug-type and thread type. Used in the installation of the panel, small, exquisite and sensitive. It's nickel-plated and easy to plug-in.



**Electrical Characteristics:**

Number of Contacts:	2~5P	6~7P	8P	10、12、14P
Rated current :	10A	7A	5A	3A
Rated Voltage:	150V	150V	125V	125V
Operation Voltage (VAC):	400	300	250	200
Withstanding Voltage :	1500 VAC			
Insulation resistance :	2000MΩ DC 500V			
Contact resistance:	10 mΩ DC1A			
Contact Diameter : (mm)	2.95	2	1.5	



## ORDER INFORMATION

Product No.: KLS15-225-M19-2 M1

Pos. No. \_\_\_\_\_  
Dental regulations: M19 \_\_\_\_\_  
Number of Contacts: 2、3、4、5、6、7、8、10、12、14P \_\_\_\_\_

TYPE Ordering

