

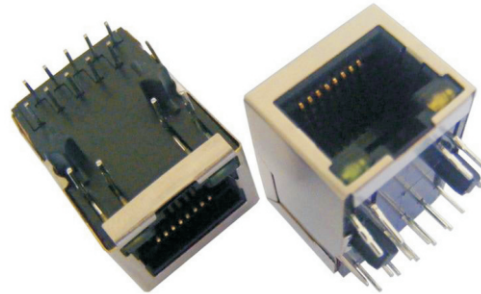
**Modular Jack with Transformer**



KLS12-TL053 10/100/1000 BASE 1x1Tab-Down RJ45

**Connect Material:**

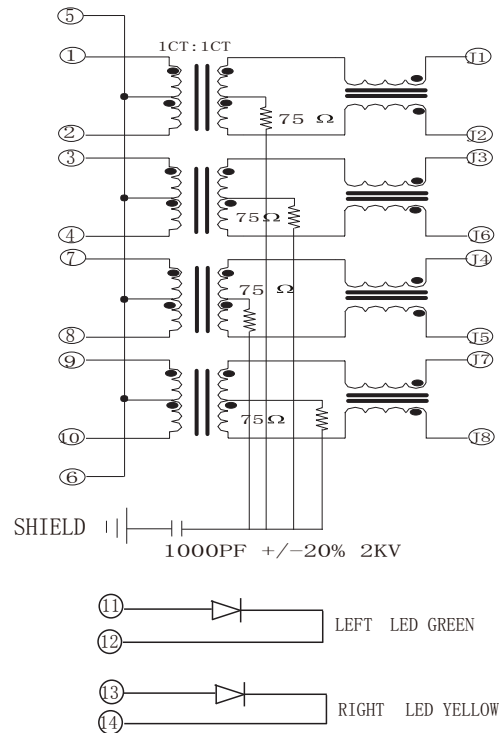
Housing:Thermoplastic,PBT,UL 94V-0,Black  
Contact/Shield:Cooper alloy  
Shield Plating:Nickel  
Contact Plating:Selective gold 6u" Min



**ELECTRICAL SPECIFICATIONS @ 25oC unless otherwise noted:**

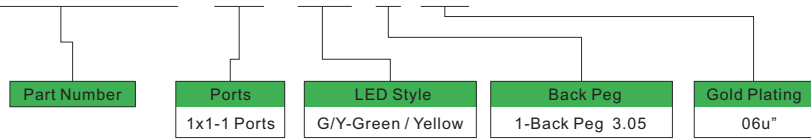
1. Turn Ratio(+/-2%) :  
TX=1CT :1CT RX=1CT:1CT
2. Inductance OCL:  
350uH Min @100KHz/0.1V ,8mA DC Bias
3. Insertion Loss:  
-1.0dB Max @1.0-100MHz
4. Return Loss:  
-20dB Min @1-10MHz  
-16dB Min @10-30MHz  
-12dB Min @30-60MHz  
-10dB Min @60-100MHz
5. Cross talk:  
-40dB Min @1-30MHz  
-35dB Min @30-60MHz  
-30dB Min @60-100MHz
6. Common Mode Rejection:  
-30dB Min @1-50MHz  
-20dB Min @50-150MHz
7. HIPOT TEST :1500V AC 1mA 6S
8. OPERA TING TEMPERA TURE RANGE:0-70°C

**Schematics**



**ORDER INFORMATION**

**KLS12-TL053 - 1x1 - G/Y - 1 - 03**



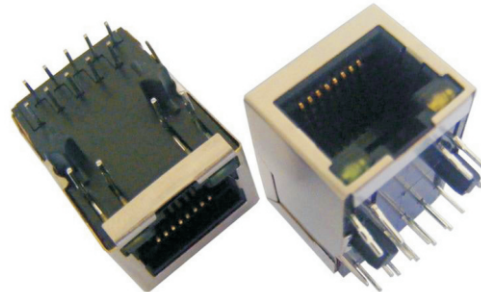
## Modular Jack with Transformer

XII

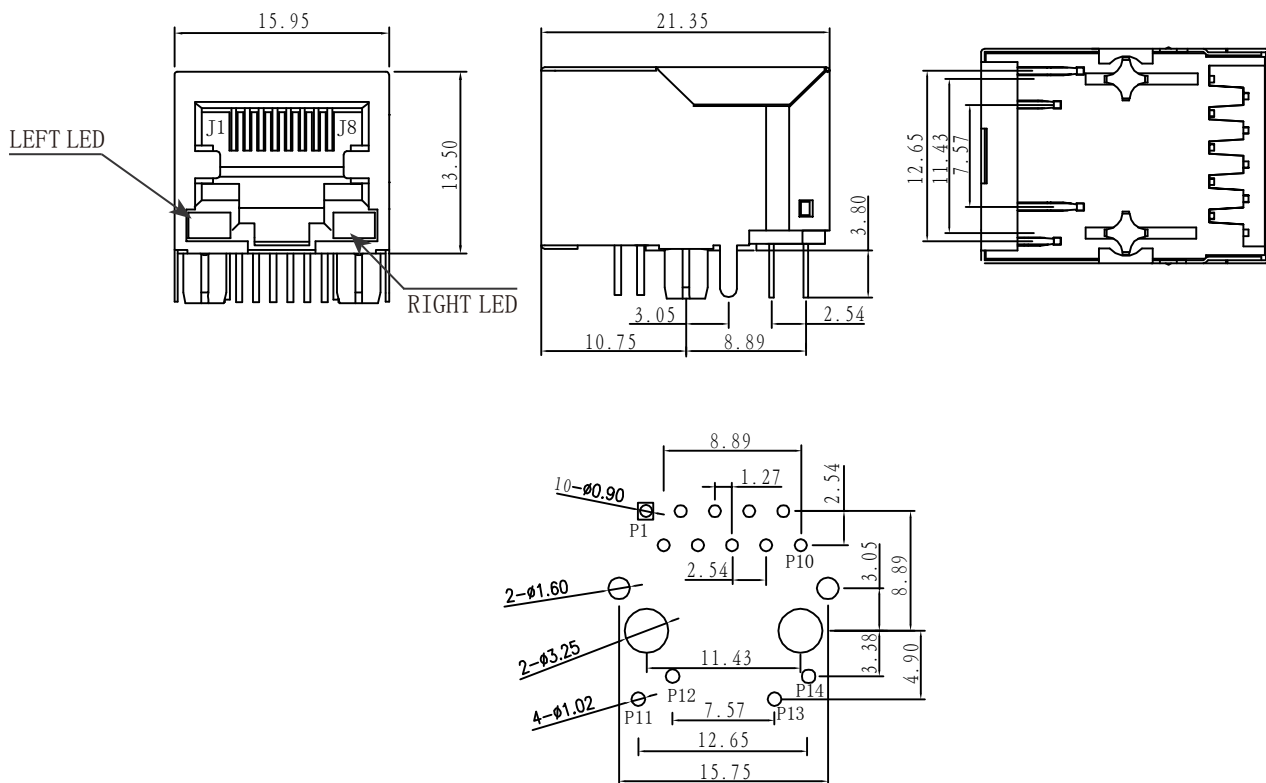
KLS12-TL053 10/100/1000 BASE 1x1Tab-Down RJ45

### Connect Material:

Housing:Thermoplastic,PBT,UL 94V-0,Black  
Contact/Shield:Cooper alloy  
Shield Plating:Nickel  
Contact Plating:Selective gold 6u" Min



### Mechanical



P. C. B RECOMMENDED HOLE LAYOUT SEEN FROM COMPONENT SIDE.  
ALL CENTERLINE DIMENSIONS ARE BASIC

## ORDER INFORMATION

KLS12-TL053 - 1x1 - G/Y - 1 - 03

