

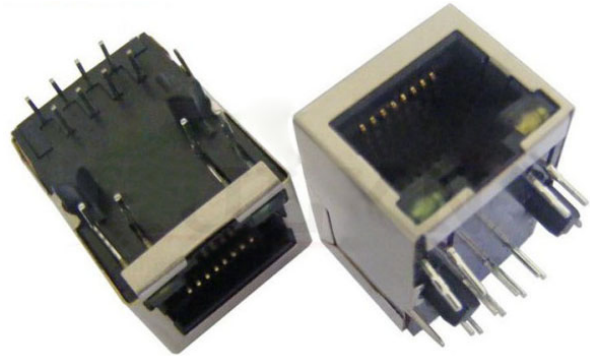
Modular Jack with Transformer



KLS12-TL051 10/100 BASE 1x1Tab-Down RJ45

Connect Material:

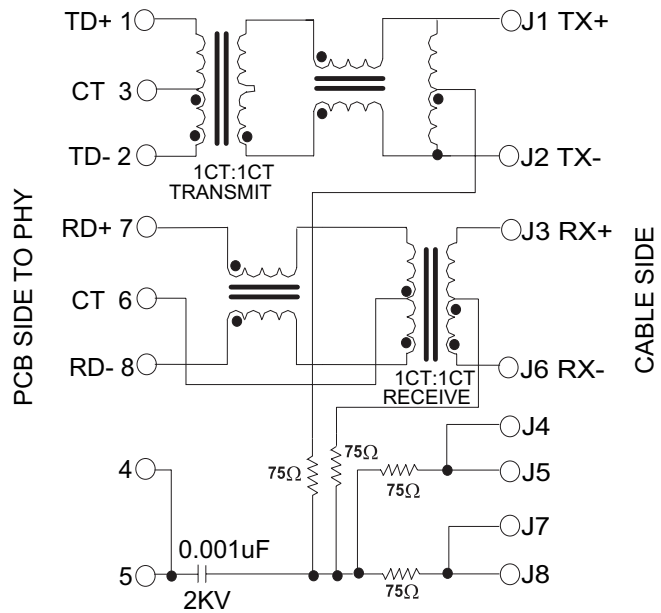
Housing:Thermoplastic,PBT,UL 94V-0,Black
Contact/Shield:Cooper alloy
Shield Plating:Nickel
Contact Plating:Selective gold 6u" Min



ELECTRICAL SPECIFICATIONS @ 25oC unless otherwise noted:

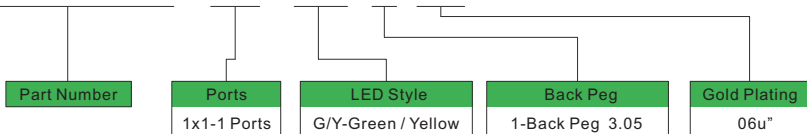
1. Turn Ratio(+/-2%) :
TX=1CT :1CT RX=1CT:1CT
2. Inductance OCL:
350uH Min @100KHz/0.1V ,8mA DC Bias
3. Insertion Loss:
-1.0dB Max @1.0-100MHz
4. Return Loss:
-20dB Min @1-10MHz
-16dB Min @10-30MHz
-12dB Min @30-60MHz
-10dB Min @60-100MHz
5. Cross talk:
-40dB Min @1-30MHz
-35dB Min @30-60MHz
-30dB Min @60-100MHz
6. Common Mode Rejection:
-30dB Min @1-50MHz
-20dB Min @50-150MHz
7. HIPOT TEST :1500V AC 1mA 6S
8. OPERA TING TEMPERA TURE RANGE:0-70°C

Schematics



ORDER INFORMATION

KLS12-TL051 - 1x1 - G/Y - 1 - 03



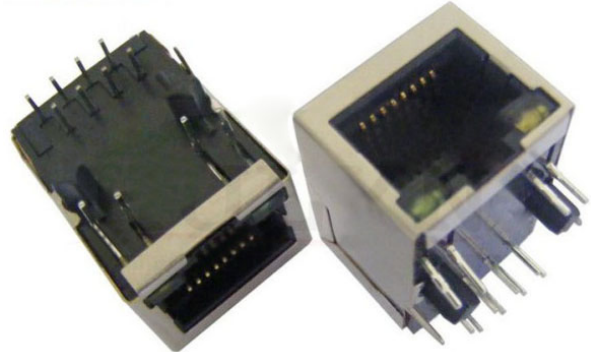
Modular Jack with Transformer



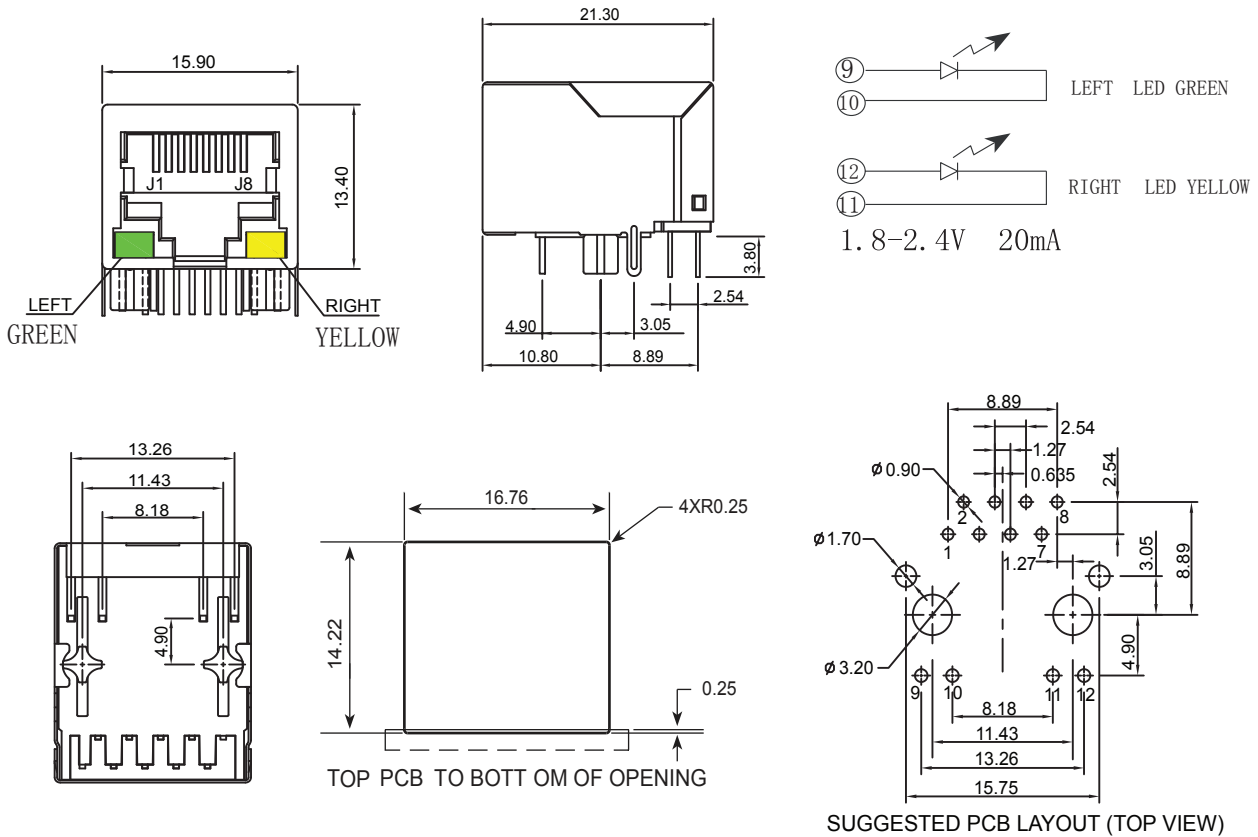
KLS12-TL051 10/100 BASE 1x1Tab-Down RJ45

Connect Material:

Housing: Thermoplastic, PBT, UL 94V-0, Black
 Contact/Shield: Cooper alloy
 Shield Plating: Nickel
 Contact Plating: Selective gold 6u" Min



Mechanical



ORDER INFORMATION

KLS12-TL051 - 1x1 - G/Y - 1 - 03

