

## Mini Din Connectors\* Din Connectors

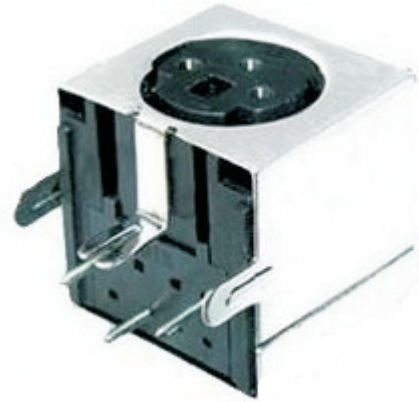
KLS1-1551 Mini din jack With Shell Series

### Technical parameters:

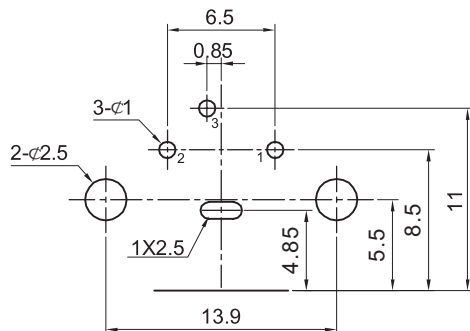
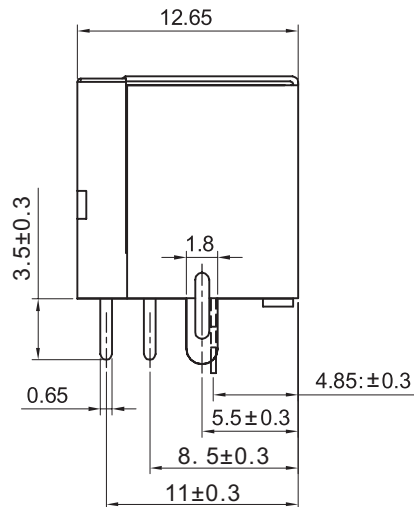
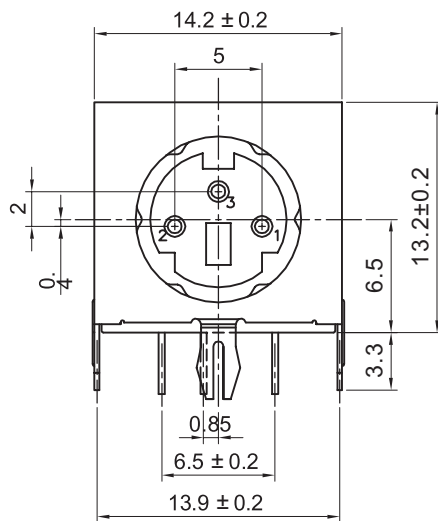
Rated Load: 2A 12V DC  
 Contact Resistance:  $\leq 0.03\Omega$   
 Insulation Resistance:  $\geq 100M\Omega$   
 Withstand Voltage: AC250V(50Hz)/min  
 Insertion and Extraction Force: 5-35N  
 Life: 5000 times  
 Operating Temperature:  $-20^{\circ}\text{C} \sim 70^{\circ}\text{C}$

### Material:

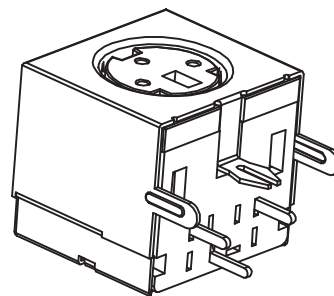
Insulator : PBT  
 Contact: Brass, D. Cu/Sn  
 Shielding case: Brass, D. Cu/Sn



I



P.C.B Layout



## ORDER INFORMATION

Product NO.: KLS1-1551-03-B



## Mini Din Connectors\* Din Connectors

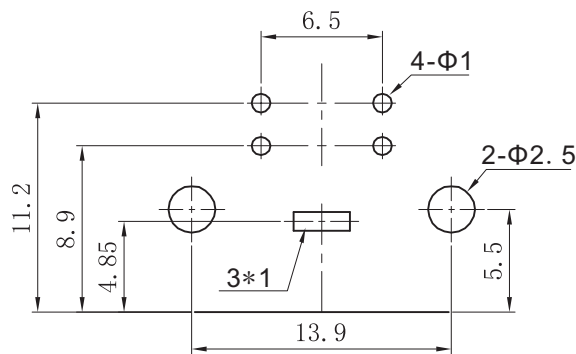
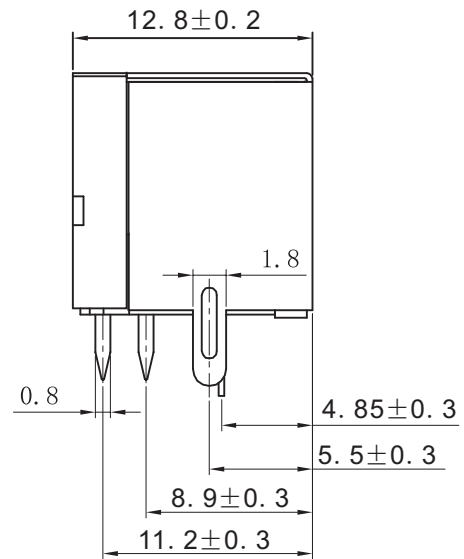
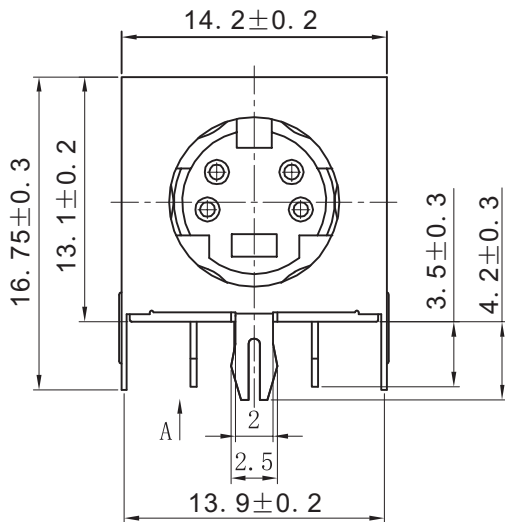
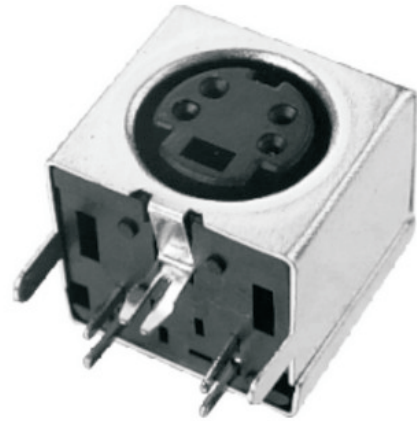
KLS1-1551 Mini din jack With Shell Series

### Technical parameters:

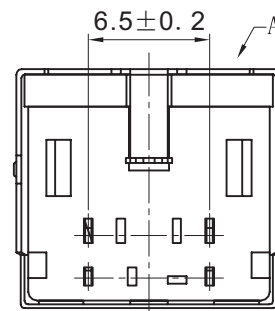
Rated Load: 2A 12V DC  
 Contact Resistance:  $\leq 0.03\Omega$   
 Insulation Resistance:  $\geq 100M\Omega$   
 Withstand Voltage: AC250V(50Hz)/min  
 Insertion and Extraction Force: 5-35N  
 Life: 5000 times  
 Operating Temperature:  $-20^{\circ}C \sim 70^{\circ}C$

### Material:

Insulator: PBT  
 Contact: Brass, D. Cu/Sn  
 Shielding case: Brass, D. Cu/Sn

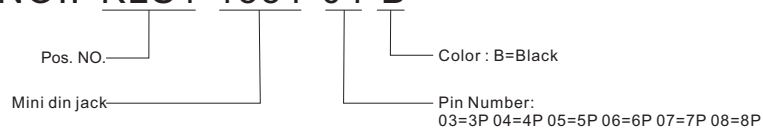


P.C.B Layout



## ORDER INFORMATION

Product NO.: KLS1-1551-04-B



## Mini Din Connectors\* Din Connectors

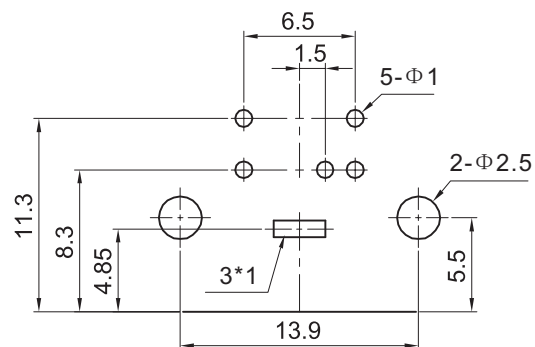
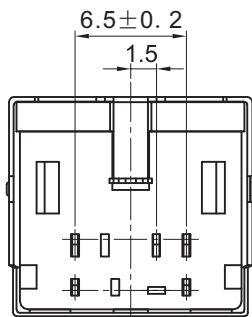
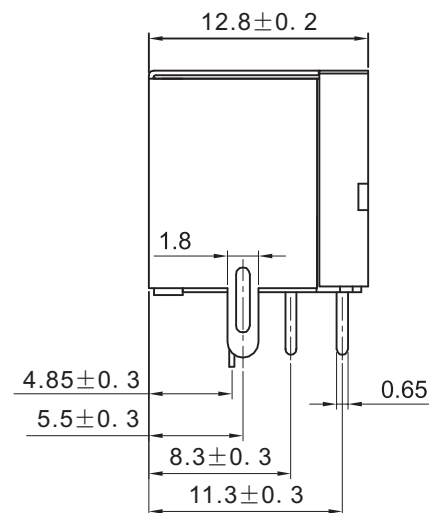
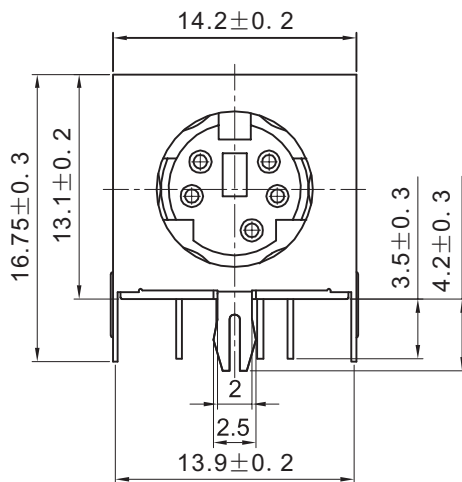
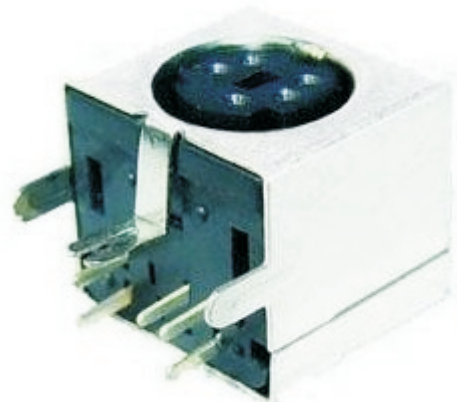
KLS1-1551 Mini din jack With Shell Series

### Technical parameters:

Rated Load: 2A 12V DC  
 Contact Resistance:  $\leq 0.03\Omega$   
 Insulation Resistance:  $\geq 100M\Omega$   
 Withstand Voltage: AC250V(50Hz)/min  
 Insertion and Extraction Force: 5-35N  
 Life: 5000 times  
 Operating Temperature:  $-20^{\circ}\text{C} \sim 70^{\circ}\text{C}$

### Material:

Insulator: PBT  
 Contact: Brass, D. Cu/Sn  
 Shielding case: Brass, D. Cu/Sn



P.C.B Layout

## ORDER INFORMATION

Product NO.: KLS1-1551-05-B

Pos. NO.

Color : B=Black

Mini din jack

Pin Number:

03=3P 04=4P 05=5P 06=6P 07=7P 08=8P

## Mini Din Connectors\*Din Connectors

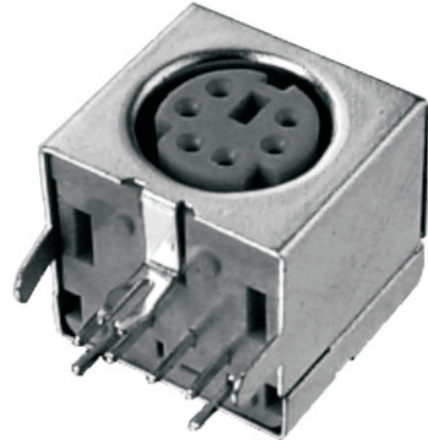
KLS1-1551 Mini din jack With Shell Series

### Technical parameters:

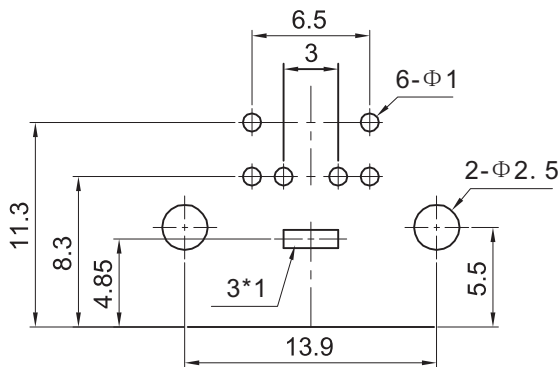
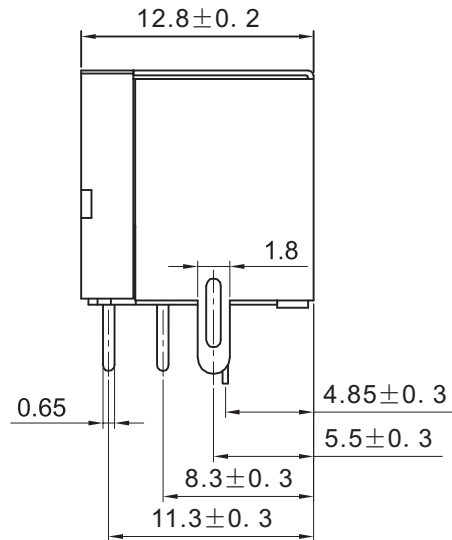
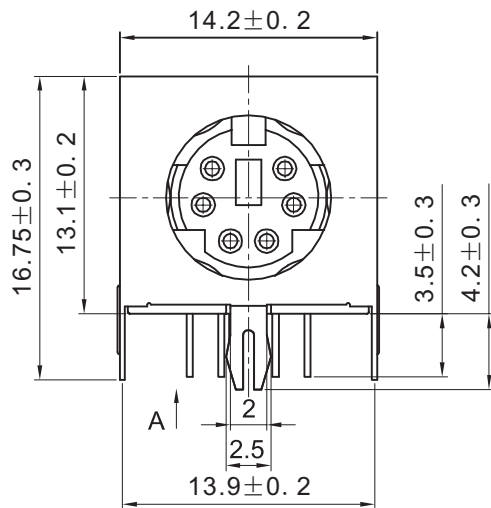
Rated Load:2A 12V DC  
Contact Resistance:  $\leq 0.03\Omega$   
Insulation Resistance:  $\geq 100M\Omega$   
Withstand Voltage: AC250V(50Hz)/min  
Insertion and Extraction Force:5-35N  
Life:5000 times  
Operating Temperature:-20°C ~ 70°C

### Material:

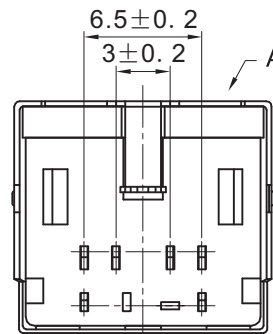
Insulator :PBT  
Contact:Brass,D.Cu/Sn  
Shielding case:Brass,D.Cu/Sn



I



P.C.B Layout



## ORDER INFORMATION

Product NO.: KLS1-1551-06-B

Pos. NO.

Mini din jack

Color : B=Black

Pin Number:  
03=3P 04=4P 05=5P 06=6P 07=7P 08=8P

## Mini Din Connectors\* Din Connectors

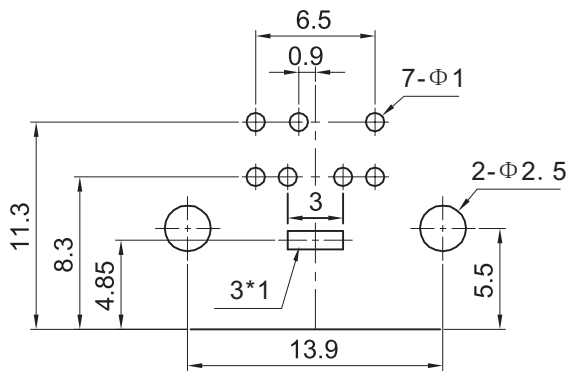
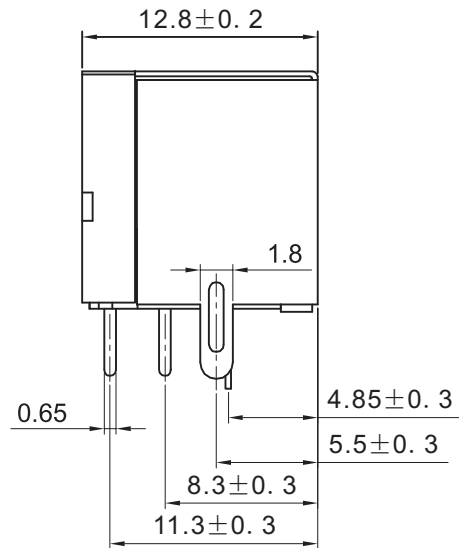
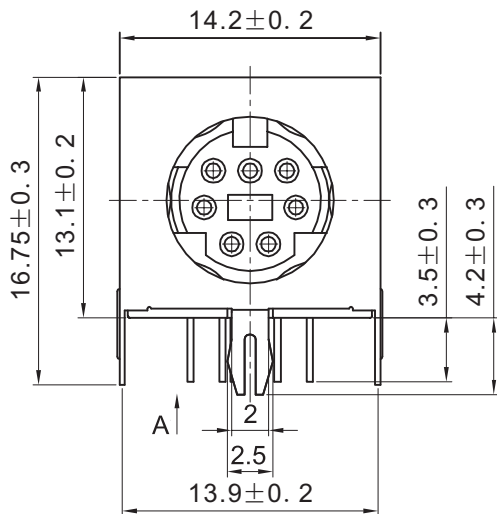
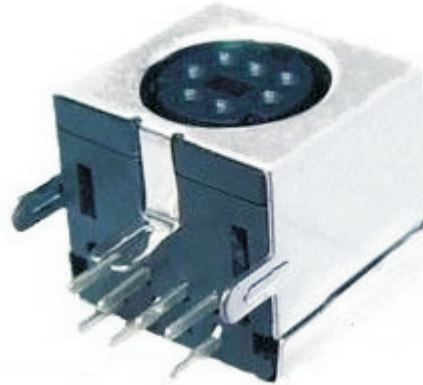
KLS1-1551 Mini din jack With Shell Series

### Technical parameters:

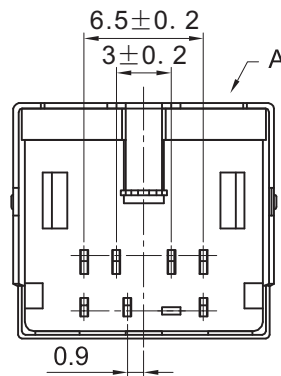
Rated Load: 2A 12V DC  
 Contact Resistance:  $\leq 0.03\Omega$   
 Insulation Resistance:  $\geq 100M\Omega$   
 Withstand Voltage: AC250V(50Hz)/min  
 Insertion and Extraction Force: 5-35N  
 Life: 5000 times  
 Operating Temperature:  $-20^{\circ}C \sim 70^{\circ}C$

### Material:

Insulator :PBT  
 Contact: Brass, D. Cu/Sn  
 Shielding case: Brass, D. Cu/Sn



P.C.B Layout



## ORDER INFORMATION

Product NO.: KLS1-1551-07-B



## Mini Din Connectors\* Din Connectors

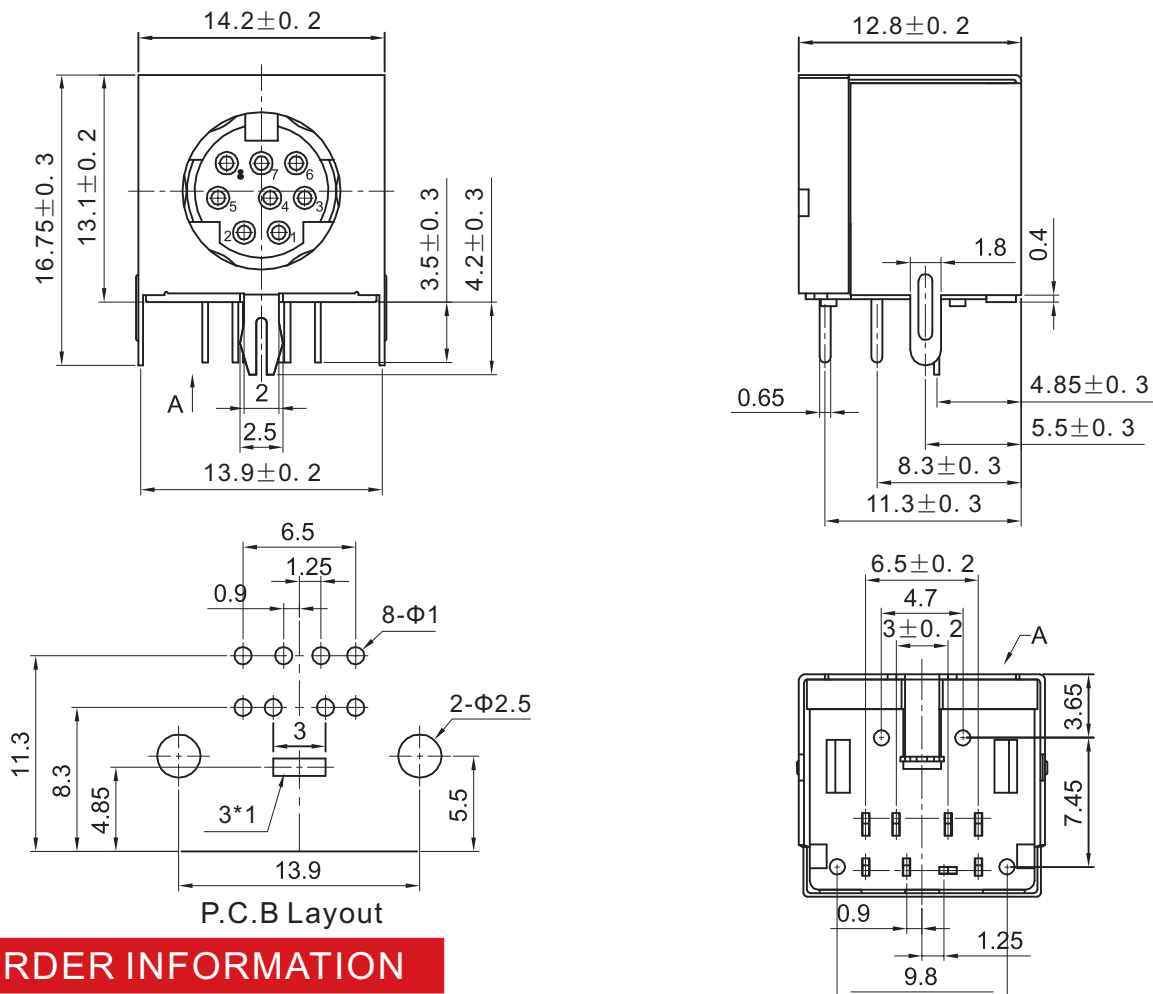
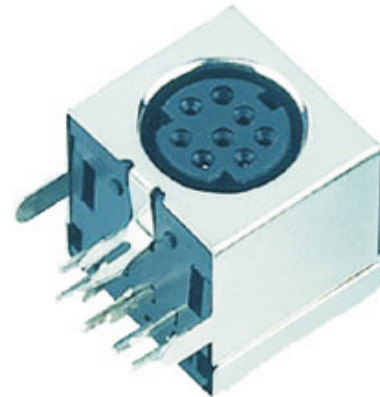
KLS1-1551 Mini din jack With Shell Series

### Technical parameters:

Rated Load: 2A 12V DC  
 Contact Resistance:  $\leq 0.03\Omega$   
 Insulation Resistance:  $\geq 100M\Omega$   
 Withstand Voltage: AC250V(50Hz)/min  
 Insertion and Extraction Force: 5-35N  
 Life: 5000 times  
 Operating Temperature:  $-20^{\circ}C \sim 70^{\circ}C$

### Material:

Insulator : PBT  
 Contact: Brass, D. Cu/Sn  
 Shielding case: Brass, D. Cu/Sn



## ORDER INFORMATION

Product NO.: KLS1-1551-08-B

