

## Slide Switches

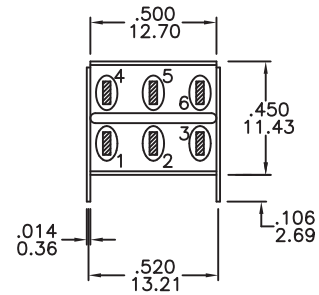
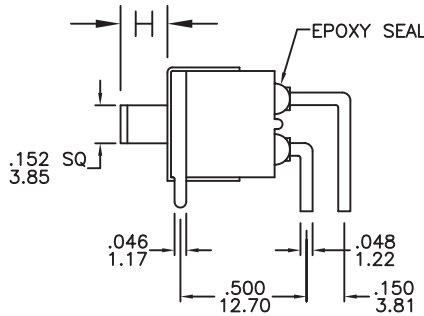
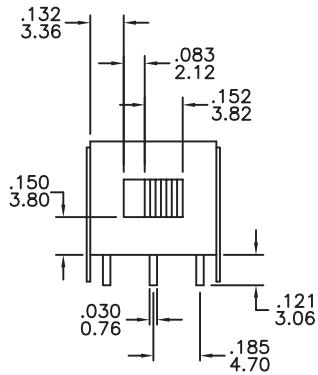
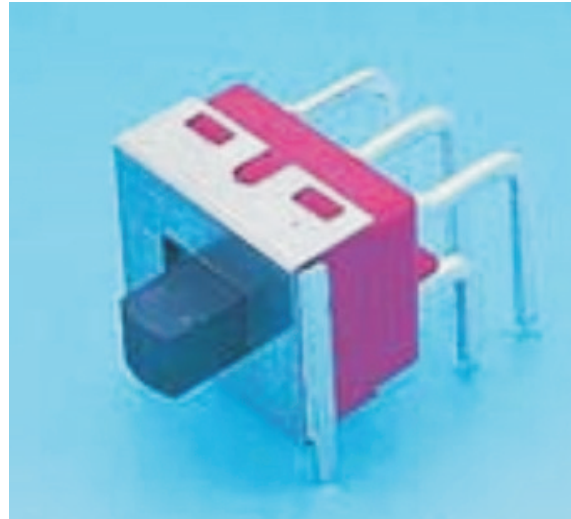
### KLS7-TS-11P-A1 DPDT Miniature Slide Switches

**Materials:**

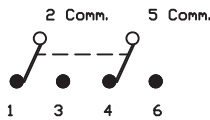
Slide Handle: Nylon  
Housing: Stainless Steel  
Case: Diallyl phthalate(DAP)  
Contact and Terminal: Copper alloy, silver plated.

**Specifications:**

Contact Rating: 5A@120 VAC or 28 VDC; 3A@250 VAC  
Electrical Life: 30000 make and break cycles at full load  
Contact Resistance: 10mΩ max. initial@2-4 VDC, 100mA  
Insulation Resistance: 1000MΩ min.  
Dielectric Strength: 1500 V RMS@sea level  
Operating Temperature: -30°C to +85°C



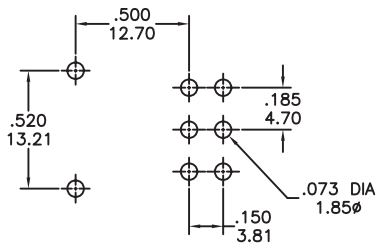
schematic



model no.	switching position		
TS-11P	on	none	on
TS-12P	on	off	on
term comm.	2-3 5-4	open	2-1 5-6

Actuator	H	Actuator color	
A1	4.72	1	White
A2	6.96	2	Black
A3	8.96	9	Gray
A4	3.10		
A6	11.92		

P.C.B MOUNTING



## ORDER INFORMATION

Product NO.: **KLS7-TS-11P-A1-2-Q-E-H**

