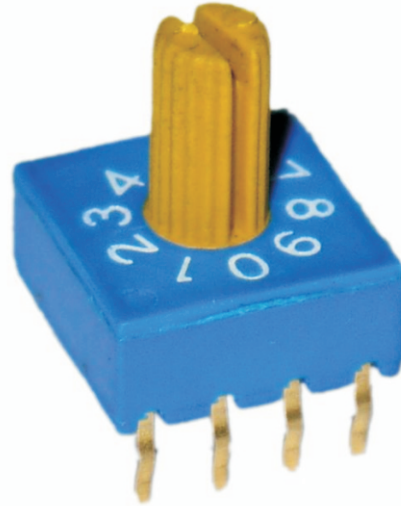


Rotary switches* Coding switches

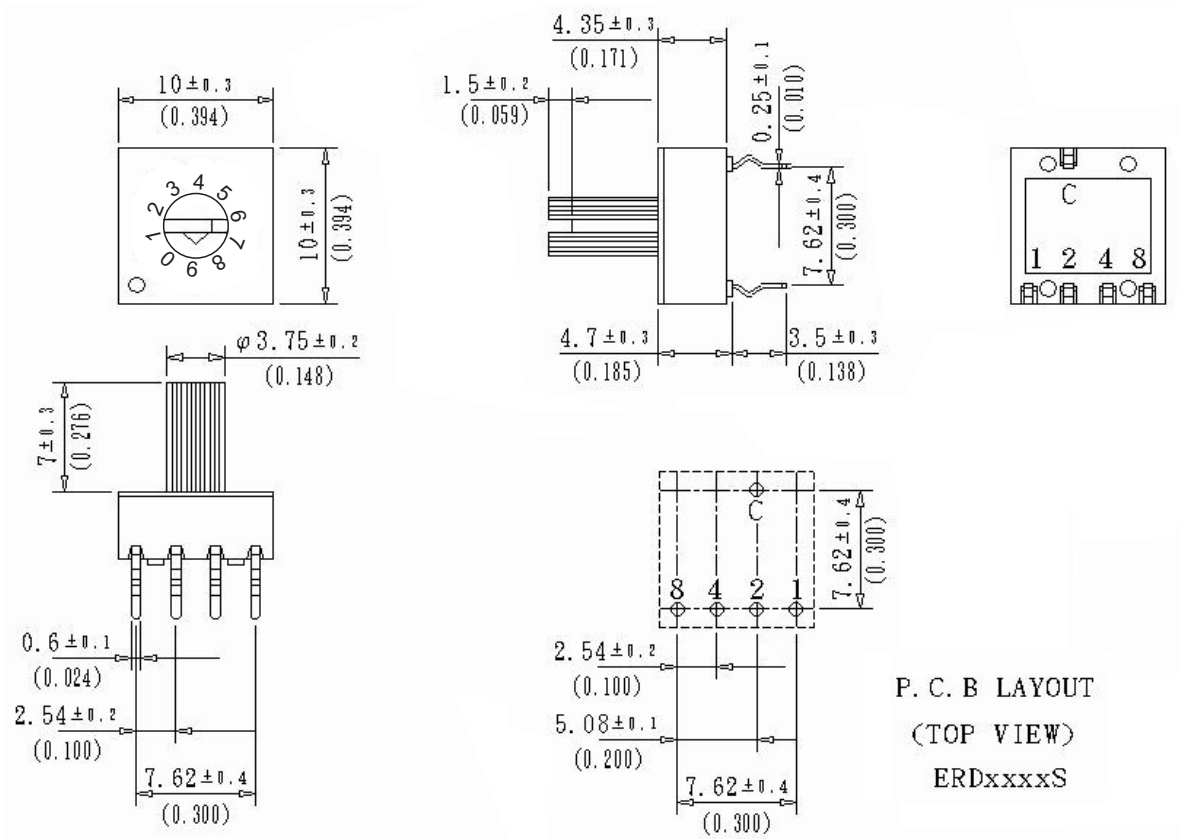
KLS7-RS41000 Terminal 4x1 type, 10 Position, BCD Circuit

ELECTRICAL:

- Switching Rating: 25mA 24V DC
- Non-Switching Rating: 100mA
- Dielectric Strength: AC 250 V 1 Minute
- Insulation Resistance: 1000 MΩ Mim
- Contact Resistance: 100MΩ Max.
- Operation Force: 500gf-cm Max.
- Operating Temperature: -25oC ~ +80 oC
- Electrical Life: 20,000 Cycles
- Vibration: 10Hz-50Hz-10Hz for 6Hrs.

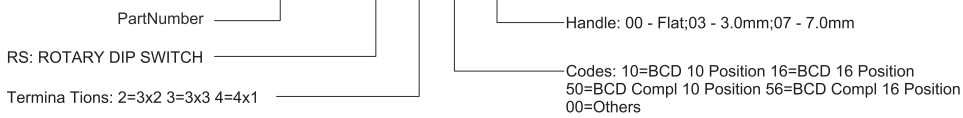


(1) Terminal 4x1 type 7mm



ORDER INFORMATION

KLS7-RS41000



Rotary switches* Coding switches

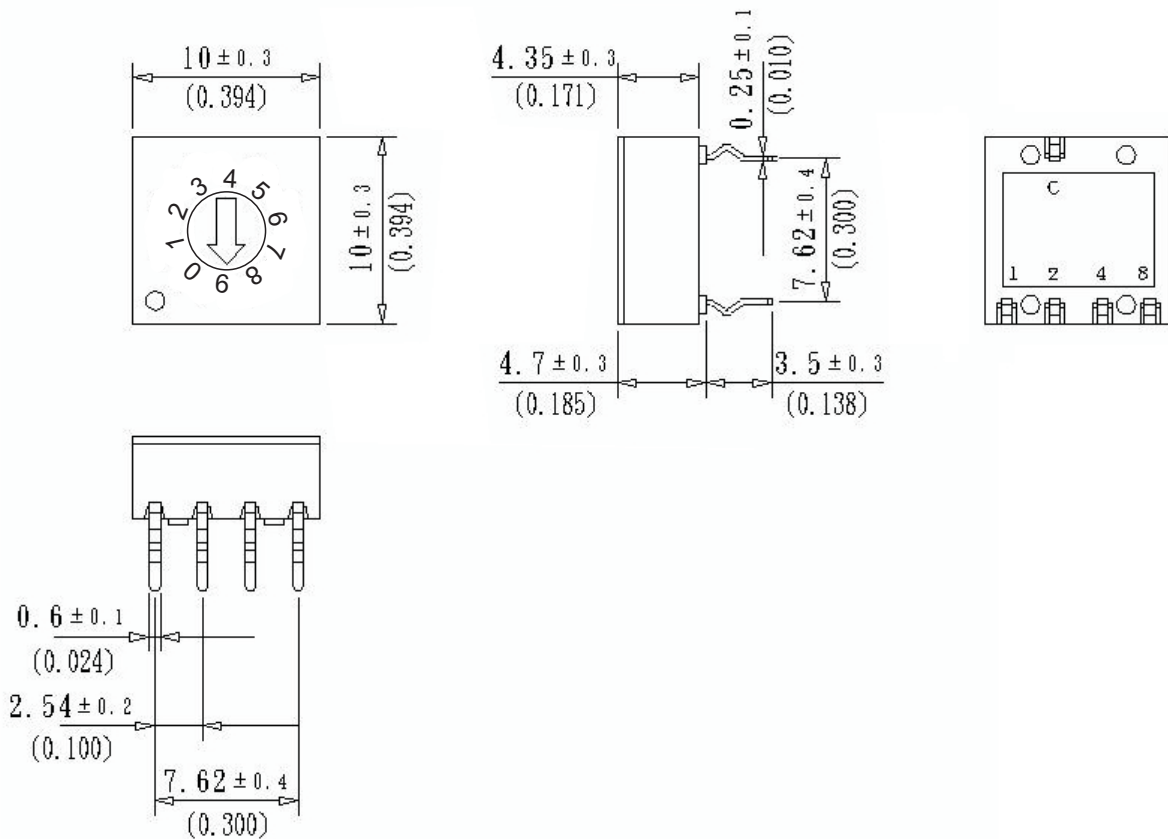
KLS7-RS41000 Terminal 4x1 type, 10 Position, BCD Circuit

ELECTRICAL:

- Switching Rating: 25mA 24V DC
- Non-Switching Rating: 100mA
- Dielectric Strength: AC 250 V 1 Minute
- Insulation Resistance: 1000 MΩ Mim
- Contact Resistance: 100MΩ Max.
- Operation Force: 500gf-cm Max.
- Operating Temperature: -25oC ~ +80 oC
- Electrical Life: 20,000 Cycles
- Vibration: 10Hz-50Hz-10Hz for 6Hrs.



(2) Terminal type mm



ORDER INFORMATION

