

# Connector



## AC Power Sockets\*AC Plugs

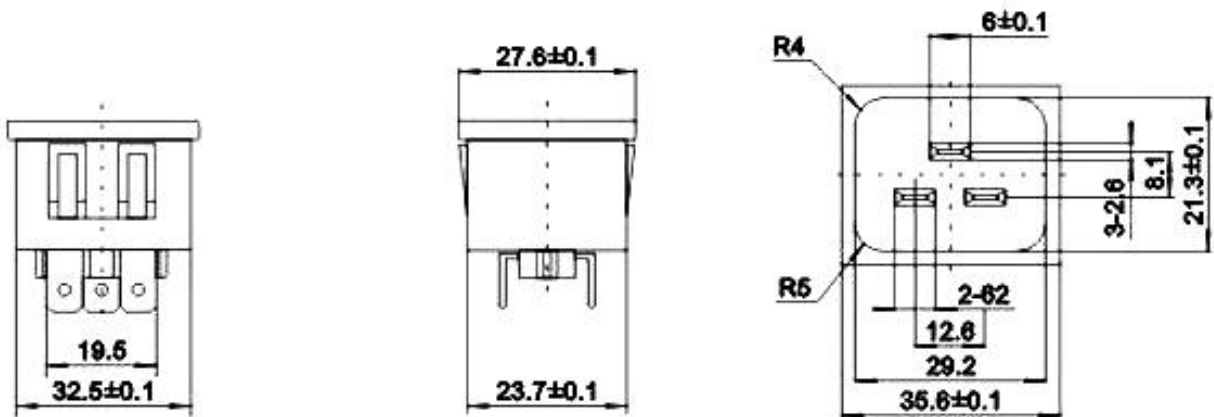
KLS1-AS-302-5 AC Power Sockets\*AC Plugs

### Specification:

Rating: 10A 250V AC  
Insulation Resistance: Over 100M at 500VDC  
Dielectric Strength: 2000VAC 1 Minute  
Working Temperature : T65°C  
Pluggable force : 5-30N

### Body Material:

Black Glass-Filled  
Thermoplastic UL 94V-0



## ORDER INFORMATION

Product NO.: KLS1-AS-302-5

