

# Connector

## AC Power Sockets\*AC Plugs

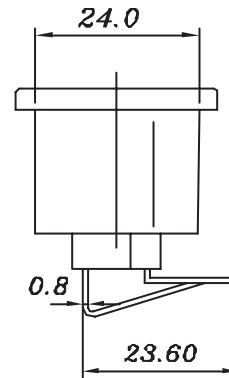
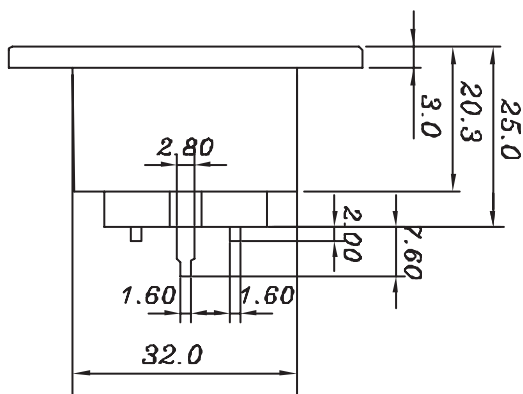
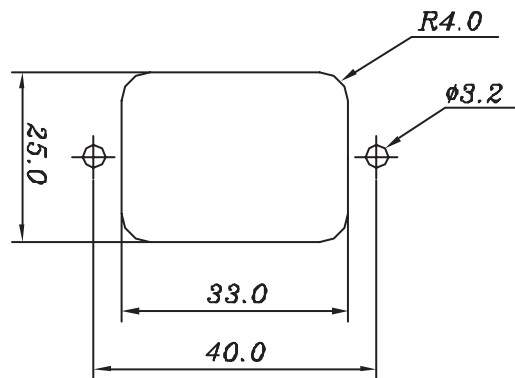
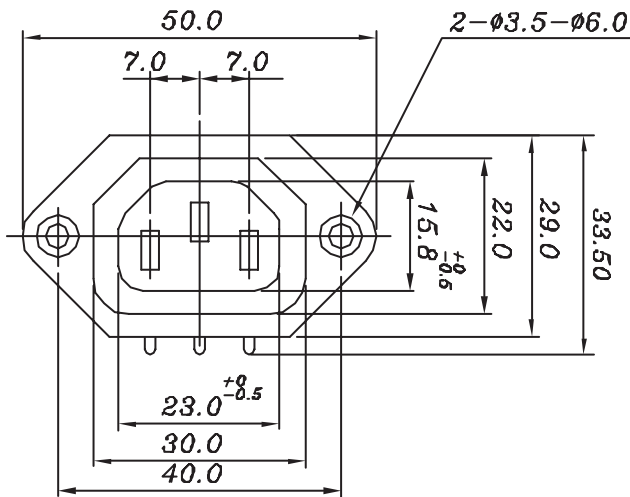
### KLS1-AS-302-3 AC Power Sockets\*AC Plugs

**Specification:**

Rating: 10A 250V AC/15A 250VAC  
Insulation Resistance: Over 100M at 500VDC  
Dielectric Strength: 2000VAC 1 Minute

**Body Material:**

Black Glass-Filled  
Thermoplastic UL 94V-0



## ORDER INFORMATION

Product NO.: KLS1-AS-302-3

Pos. NO.

AC Socket