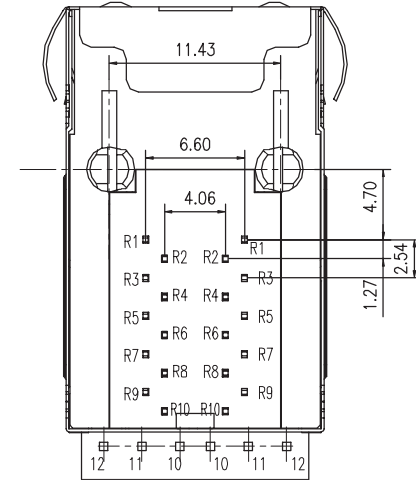
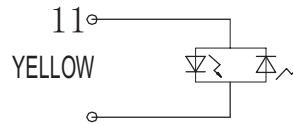
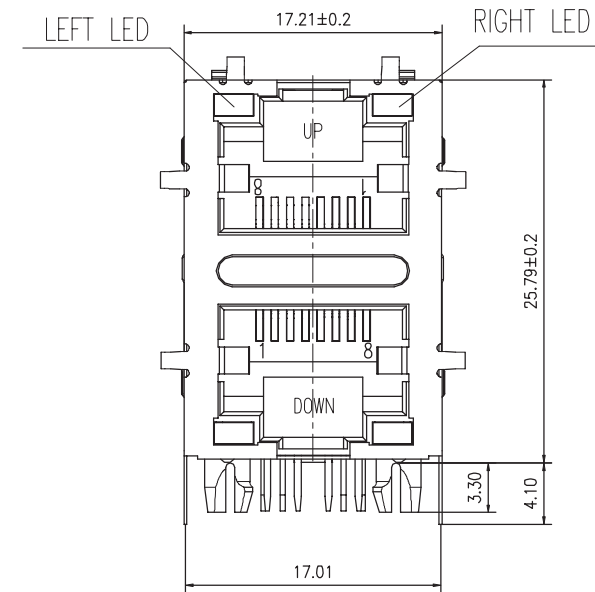
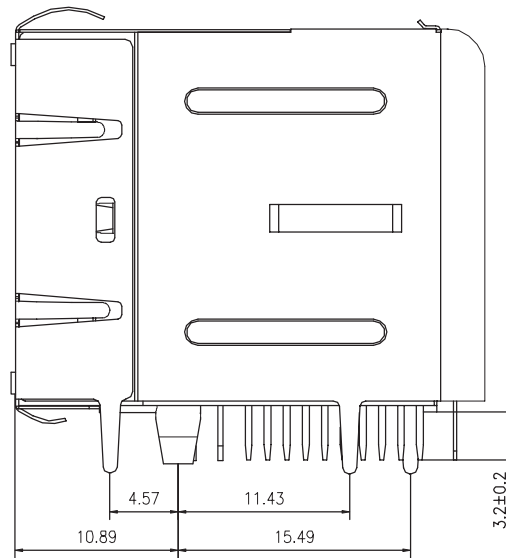


GREEN



TOLERANCES UNLESS OTHERWISE SPECIFIED :
 0 ~ 10 ± 0.15, 10 ~ 20 ± 0.2, 20 ~ 40 ± 0.25,
 40 ~ 70 ± 0.3, > 70 ± 0.4



KLS ELECTRONIC CO.,LTD.

Designed

MATERIAL

DESCRIPTION

KLS12-TL009

Checked

SCALE

2:1

UNIT

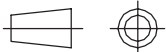
mm

MODEL NO.

REV.

Approved

FIRST ANGLE PROJECTION



CUSTOMER

MODEL NO.

1

2