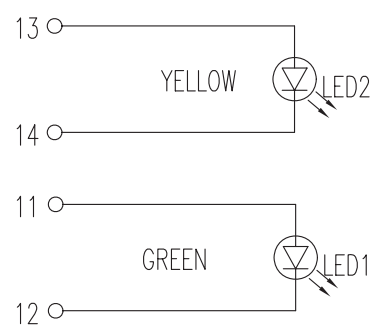
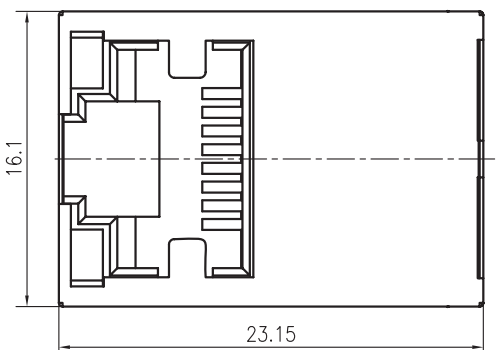
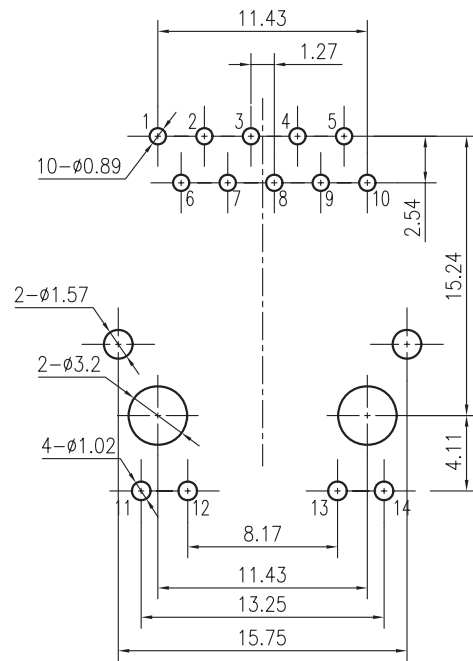
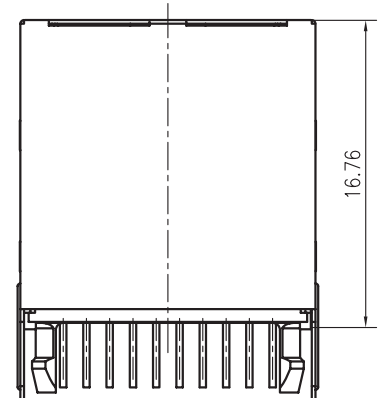
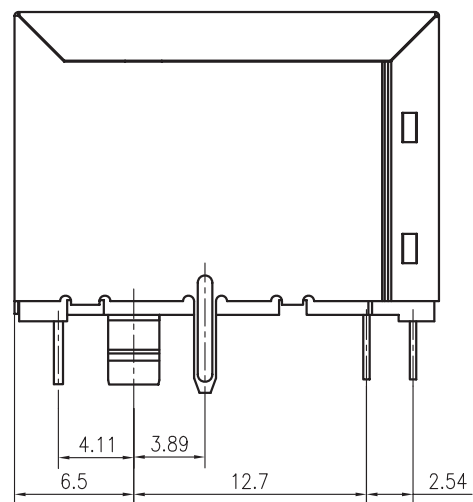


1

2

A

A



TOLERANCES UNLESS OTHERWISE SPECIFIED :  
 0~10±0.15, 10~20±0.2, 20~40±0.25,  
 40~70±0.3, ≥70±0.4

B

B

料号更改 2008 4 23

KLS ELECTRONIC CO.,LTD.

Designed  
 Checked  
 Approved

MATERIAL  
 SCALE

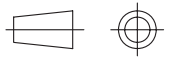
2.5:1 UNIT mm DWG NO.

DESCRIPTION

KLS12-TL008

Mark Date  
 REV.  
 V1.1

FIRST ANGLE PROJECTION



CUSTOMER  
 MODEL NO.

1

2

### SPECIFICATIONS

CURRENT RATING: 1.5A  
 VOLTAGE RATING: 125V AC  
 INSULATION RESISTANCE: 500M $\Omega$  Mini  
 WITHSTAND VOLTAGE: AC 1500 V RMS 50Hz OR 60Hz 1 Min  
 CONTACT RESISTANCE: 20m $\Omega$  Max

INSERTION FORCE: 2 CONTACTS----350g 4 CONTACTS----500g  
 6 CONTACTS----750g 8 CONTACTS----900g  
 10 CONTACTS----1050g

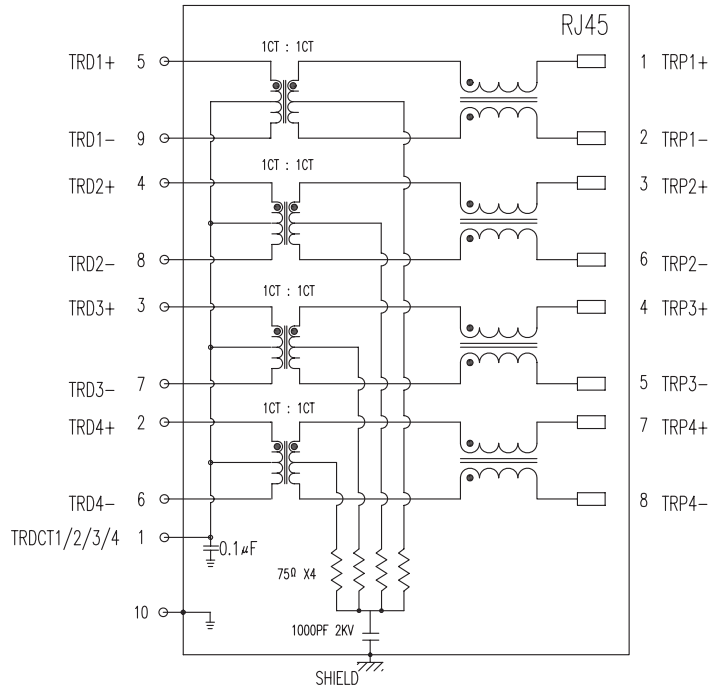
RETENTION STRENGTH: 7.7Kg BETWEEN JACK AND PLUG  
 DURABILITY: 750 MATING CYCLES Mini

HOUSING: 1) GLASS FILLED PA66 (UL 94V-0)  
 2) GLASS FILLED PA46 (UL 94V-0)  
 3) GLASS FILLED PBT (UL 94V-0)

SPRING WIRE: 1) 0.45mm DIA PHOSPHOR BRONZE GOLD PLATING OVER NICKEL  
 ALLOY SELECTIVE GOLD PLATING OVER NICKEL

SHIELDING: 0.24mm THICKNESS COPPER ALLOY WITH TIN PLATED  
 GOLD PLATING: 3 $\mu$ " , 6 $\mu$ " , 15 $\mu$ " , 30 $\mu$ " , 50 $\mu$ "

WORKING TEMPERATURE: -40 $^{\circ}$ C $\sim$ 70 $^{\circ}$ C



### ELECTRICAL SPECIFICATIONS AT 25 $^{\circ}$ C

Insertion Loss dB max	Return Loss dB min			Crosstalk(db TYP)			Common Mode Rejection (dB TYP)		Hipo(vrms)
	1-30MHz	30- 60MHz	60- 80MHz	1-30MHz	30- 60MHz	60- 80MHz	1-50MHz	50-150MHz	
-1.0	-18	-16	-12	-40	-35	-30	-30	-20	1500

**KLS ELECTRONIC CO.,LTD.**

Designed

MATERIAL

DESCRIPTION

**KLS12-TL008**

Mark

Date

Checked

Approved

SCALE

UNIT

mm

DWG NO.

REV.

FIRST ANGLE PROJECTION



CUSTOMER

MODEL NO.