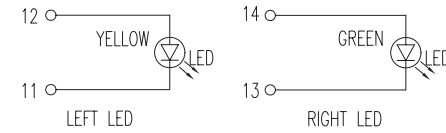
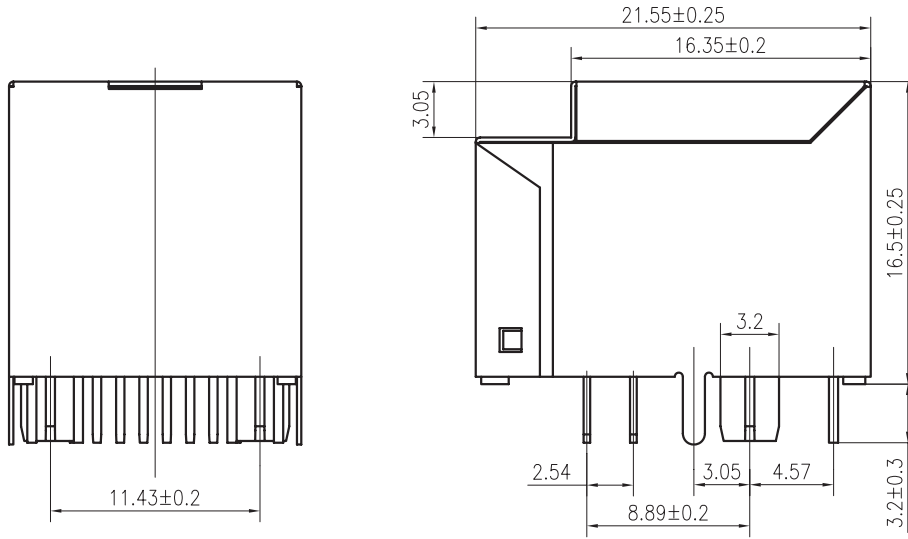


1

2

A

A



LED Specification

| Standard LED Color | LED Wavelength | Forward (V MAX) | Typical (V TYP) | Luminous Intensity |
|--------------------|----------------|-----------------|-----------------|--------------------|
| Green              | 560-580 nm     | 2.5V            | 2.1-2.2V        | 9-25 MCD           |
| Yellow             | 580-610 nm     | 2.5V            | 2.1-2.2V        | 9-30 MCD           |
| Orange             | 580-610 nm     | 2.5V            | 2.1-2.2V        | 50-100 MCD         |

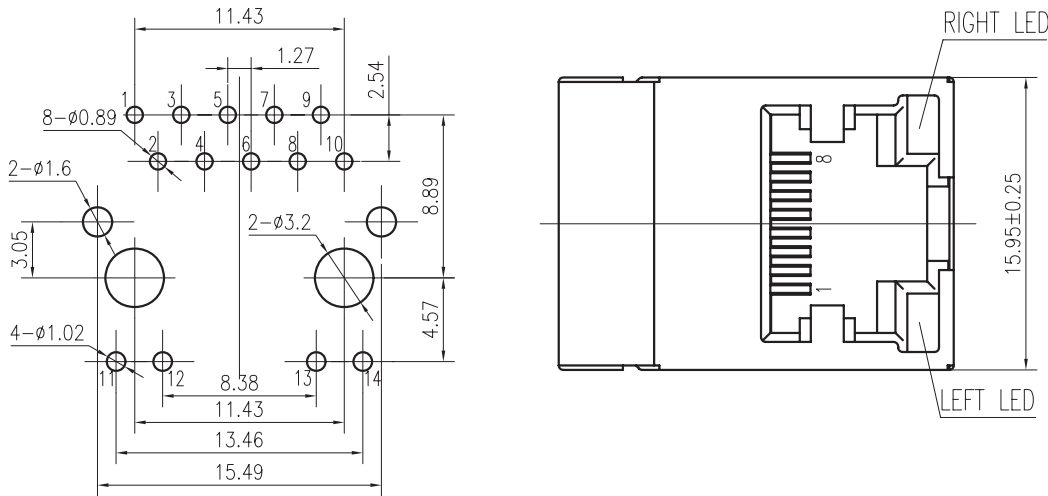
- LED intensity/wavelength measured with Photo Research PR-650 Colormeter
- With a forward current of 20 mA, Absolute Maximum Ratings ( $T_a=25^\circ\text{C}$ )

Specification:

- TOLERANCES UNLESS OTHERWISE SPECIFIED :  
 $0 \sim 10 \pm 0.15$ ,  $10 \sim 20 \pm 0.2$ ,  $20 \sim 40 \pm 0.25$ ,  
 $40 \sim 70 \pm 0.3$ ,  $\geq 70 \pm 0.4$
- JACK CAVITY CONFORMS TO FCC RULES AND REGULATIONS, PART 68 SUBPART F.

B

B



KLS ELECTRONIC CO.,LTD.

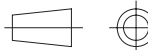
Designed

MATERIAL

DESCRIPTION

KLS12-TL006

FIRST ANGLE PROJECTION



CUSTOMER

MODEL NO.

Checked

Approved

SCALE

2.5:1

UNIT

mm

MODEL NO.

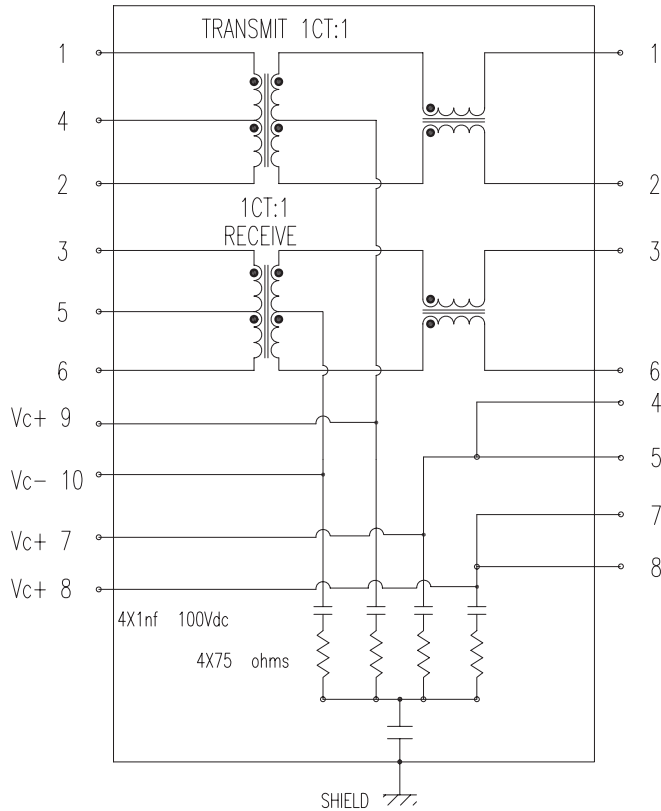
REV.

V1.0

1

2

CONNECTOR SOLDER SIDE RJ45 CONTACT SIDE



ELECTRICAL SPECIFICATIONS AT 25°C

| Insertion Loss dB max | Return Loss dB min |         |          | Crosstalk(db TYP) |         |          | Common Mode Rejection (dB TYP) |         | Hipot(vrms) |
|-----------------------|--------------------|---------|----------|-------------------|---------|----------|--------------------------------|---------|-------------|
|                       | 1-100MHz           | 1-30MHz | 30-60MHz | 60-100MHz         | 1-30MHz | 30-60MHz | 60-100MHz                      | 1-50MHz |             |
| -1.0                  | -18                | -16     | -12      | -40               | -35     | -30      | -30                            | -20     | 1500/0.5mA  |

DESCRIPTION

RJ45 With internal Magnetics Connector

Designe to support such applications as:Ethernet Equipment Complex,Switches,Routers,Firewalls,Servers and Hub Internal magnetics are 100% electrically tested for functionality per IEEE802.3 requirement

ELECTRICAL: RoHS peak wave solder temperature rating 235℃  
 High performance for maximum EMI suppression  
 350uH minmum OCL with 8mA bias current  
 PoE rating:15W,350mA,48V (For PoE Products only)

JACK CAVITY CONFORMS TO FCC RULES AND REGULATIONS,PART 68 SUBPART F.

MECHANICAL: INSERTION FORCE: 2 CONTACTS----350g 4 CONTACTS----500g  
 6 CONTACTS----750g 8 CONTACTS----900g  
 10 CONTACTS----1050g  
 RETENTION STRENGTH: 7.7Kgs BETWEEN JACK AND PLUG  
 DURABILITY: 750 MATING CYCLES Mini

MATERIAL: HOUSING: 1) GLASS FILLED PA66 (UL 94V-0)  
 2) GLASS FILLED PA46/LCP (UL 94V-0)  
 3) GLASS FILLED PBT (UL 94V-0)  
 SPRING WIRE: 1) 0.2-0.45mm DIA PHOSPHOR BRONZE GOLD PLATING OVER NICKEL  
 2) 0.2-0.35mm THICKNESS PHOSPHOR BRONZE ALLOY SELECTIVE GOLD PLATING OVER NICKEL  
 SHIELDING: 0.12-0.24mm THICKNESS COPPER ALLOY WITH TIN PLATED  
 GOLD PLATING: 3μ", 6μ", 15μ", 30μ", 50μ"  
 WORKING TEMPERATURE: -20℃~70℃  
 TOLERANCES UNLESS OTHERWISE SPECIFIED : 0~10±0.15, 10~20±0.2, 20~40±0.25, 40~70±0.3, >70±0.4



A

A

B

KLS ELECTRONIC CO.,LTD.

Designed

MATERIAL

DESCRIPTION

KLS12-TL006

Mark

Date

Checked

Approved

SCALE

UNIT

mm

DWG NO.

REV.

FIRST ANGLE PROJECTION



CUSTOMER

MODEL NO.