

Stereo Jack Series

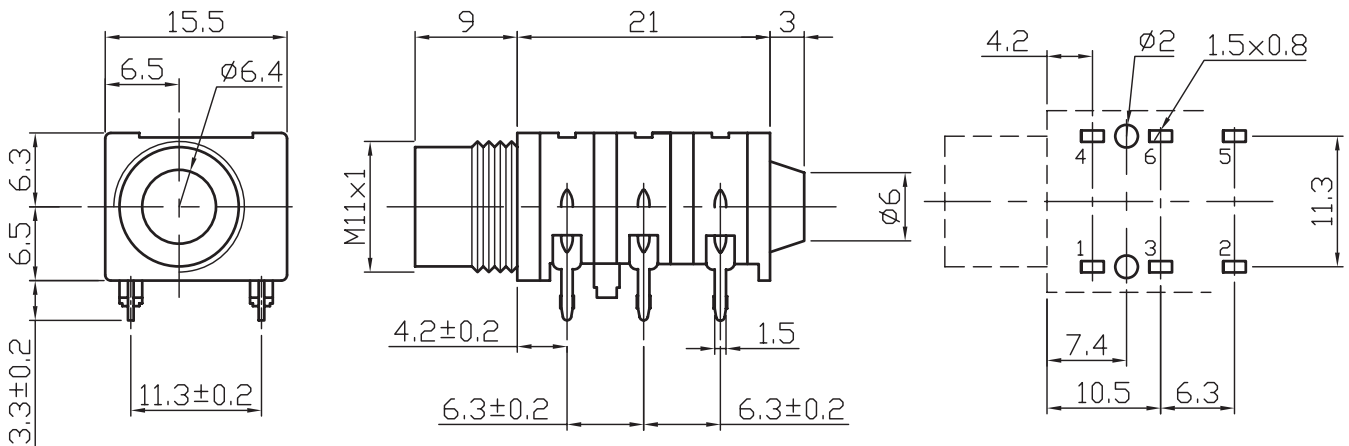
KLS1-TG6.3-007C (Stereo Jack Series)

Technical parameters:

Rated voltage: DC 30 V
 Rated current: 0.5 A
 Contact resistance: 0.03Ω, max
 Insulation resistance: 100MΩ, min
 Pressure: AC500V (50Hz) / 1minute
 Insertion Force :2-20 N
 Life: 50000 times
 Operating Temperature:-30°C ~ 70°C

Material:

Housing: PC
 Contact foot: Bronze



TG6.3-007C	TG6.3-007CA	TG6.3-007CB	TG6.3-007CC	TG6.3-007CD	TG6.3-007CE

ORDER INFORMATION

Product NO.: KLS1-TG6.3-007CA

