

## DIN JACK Series

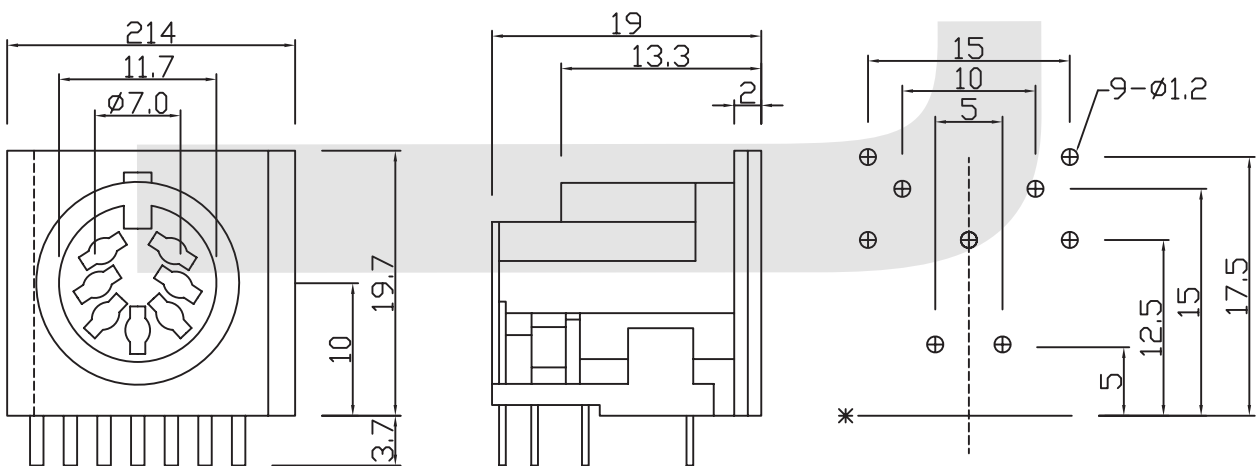
### KLS1-291A DIN jack Without Shell Series

#### MATERIAL

Insulator: PBT UL 94V-0 or PPS  
Shell: Brass, Nickel / Tin Plated or Tin Plated  
Contact: Phosphor Bronze, Gold / Tin plated  
ENVIRONMENTAL  
Operating Temperature: -25°C ~ + 70°C

#### ELECTRICAL

Contact current Rating: 1 Amp/100VAC  
2Amp/12VDC  
Dielectric Withstanding: AC 1000V / min.  
Insulation Resistance: 5000M OHM min AT 500V DC  
Contact Resistance: 30m ohm Max.  
Insertion force: 4.5Kgf Max  
Withdrawal Force: 0.8Kgf Min  
Life: 5000 cycles



## ORDER INFORMATION

Product NO.: KLS1 - 291A - 4 B

Pos. NO. \_\_\_\_\_  
DIN JACK Without ShellSeries \_\_\_\_\_  
Pin Number: \_\_\_\_\_  
3=3P 4=4P 5=5P 6=6P 7=7P 8=8P 13=13P  
Color: B=Black \_\_\_\_\_

## MINI DIN JACK Series

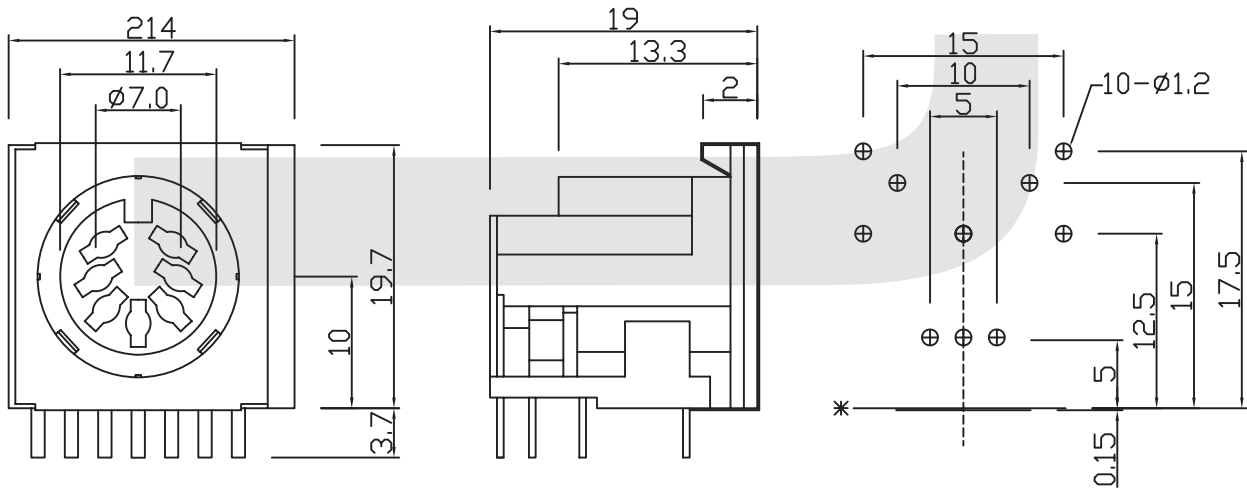
### KLS1-288L Mini din jack With Shell Series

#### MATERIAL

Insulator: PBT UL 94V-0 or PPS  
 Shell: Brass, Nickel / Tin Plated or Tin Plated  
 Contact: Phosphor Bronze, Gold / Tin plated  
 ENVIRONMENTAL  
 Operating Temperature: -25°C ~ + 70°C

#### ELECTRICAL

Contact current Rating: 1 Amp/100VAC  
 2Amp/12VDC  
 Dielectric Withstanding: AC 1000V / min.  
 Insulation Resistance: 5000M OHM min AT 500V DC  
 Contact Resistance: 30m ohm Max.  
 Insertion force: 4.5Kgf Max  
 Withdrawal Force: 0.8Kgf Min  
 Life: 5000 cycles



## ORDER INFORMATION

Product NO.: KLS1 - 291L - 4 B

Pos. NO. \_\_\_\_\_  
 DIN JACK With ShellSeries \_\_\_\_\_  
 Pin Number: \_\_\_\_\_  
 3=3P 4=4P 5=5P 6=6P 7=7P 8=8P 13=13P  
 Color: B=Black \_\_\_\_\_