

MINI DIN JACK Series

KLS1-155 MINI DIN Jack Right Angle Single Type

MATERIAL

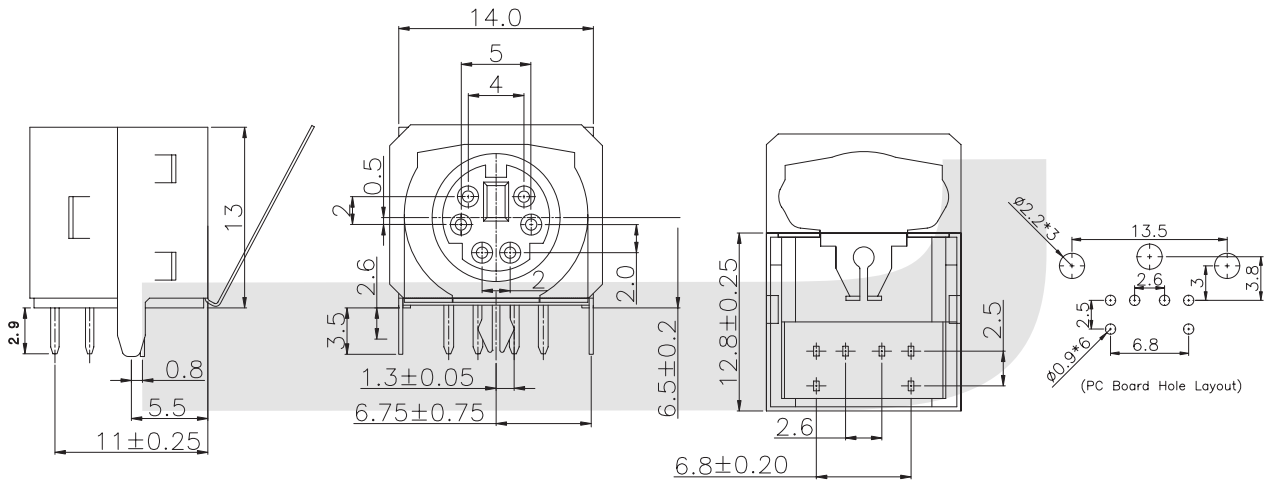
Insulator: PBT+Glass Fiber, UL94v-0
Contact: Phosphor Bronze
Shell: Spcc, Tin plated

Specification

Current rating: 1 A Max.
Dielectric withstanding voltage: 750 V (AC) for 1 min.
Contact resistance: 30 mΩ Max.
Insulation resistance: 1000 MΩ Min.
Temperature range: -25°C ~ +70°C

Finishes

contacts: Gold flashed 1u", 3u", 5u", 10u", 15u", 30u".
Shell: Nickel, tin or gold plated



With shrapnel

3 PIN	4 PIN	5 PIN	6 PIN	7 PIN	8 PIN

ORDER INFORMATION

Product NO.: KLS1 - 155 - 4 G - 0

Pos. NO. _____

MINI DIN Jack Right Angle Single Type

Pin Number: _____

3=3P 4=4P 5=5P 6=6P 7=7P 8=8P

Color: B=Black G=Green P=Purple _____

Shrapnel

0: Without shrapnel

1: With shrapnel