

Stereo Jack Series

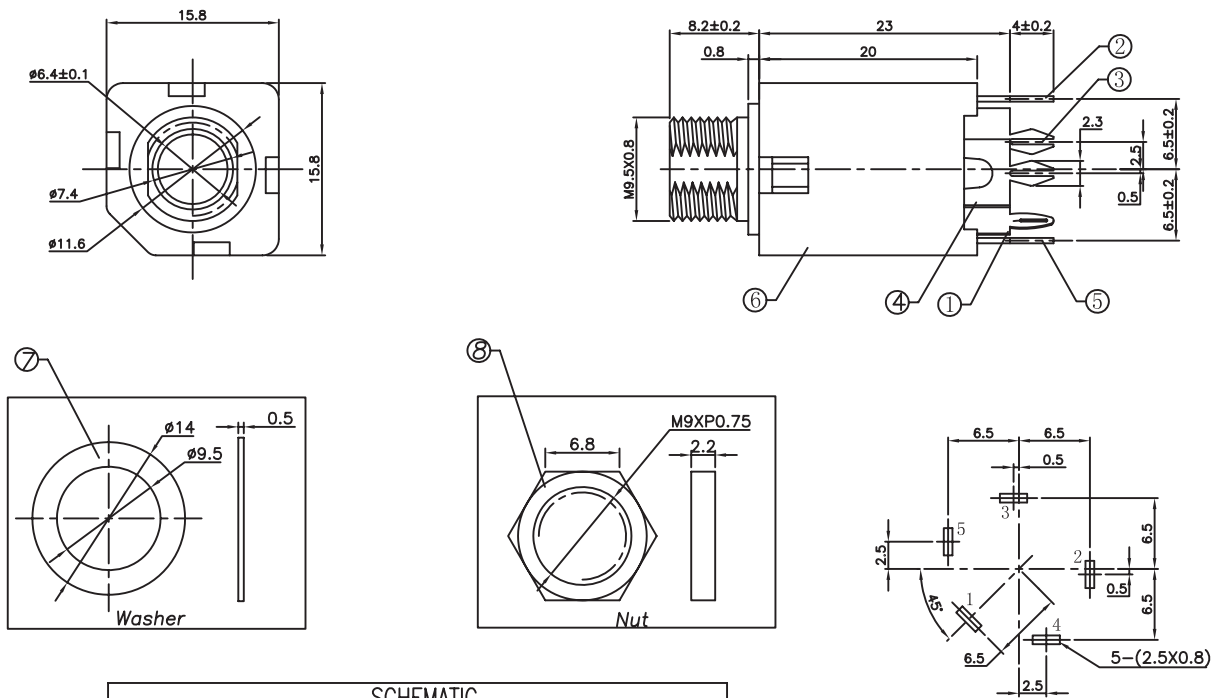
KLS1-TG6.3-004E (Stereo Jack Series)

Technical parameters:

Rated voltage: DC 30 V
 Rated current: 0.5 A
 Contact resistance: 0.03Ω, max
 Insulation resistance: 100MΩ, min
 Pressure: AC500V (50Hz) / 1minute
 Insertion Force :2-20 N
 Life: 50000 times
 Operating Temperature:-30°C ~ 70°C

Material:

WASHER :IRON
 HOUSING :PA66
 CURVE PIECE/ NUT : C2680
 CONTACT FOOT/ SPRING : C5191



SCHEMATIC					
TG6.3-004E	TG6.3-004EA	TG6.3-004EB	TG6.3-004EC	TG6.3-004ED	TG6.3-004EE

UNLESS OTHERWISE SPECIFIED, TOLERANCE ON DECIMAL: ±0.3

T:1.6 Dimensions of PC board holes
 Tolerance : ±0.1(Printed-top view)

ORDER INFORMATION

Product NO.: KLS1-TG6.3-004EA

