

Stereo Jack Series

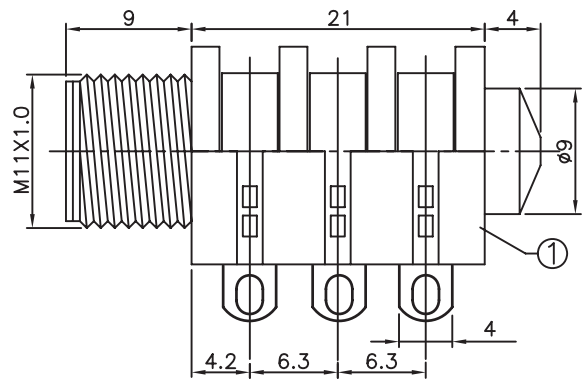
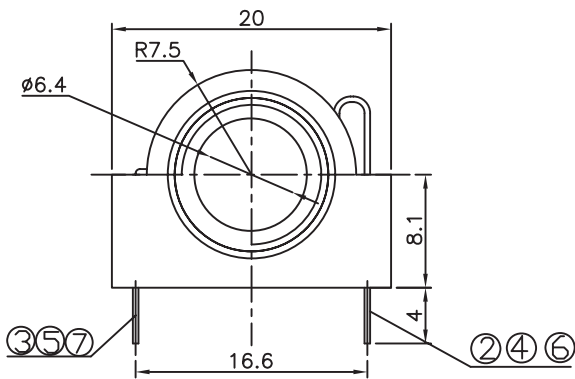
KLS1-TG6.3-006G (Stereo Jack Series)

Technical parameters:

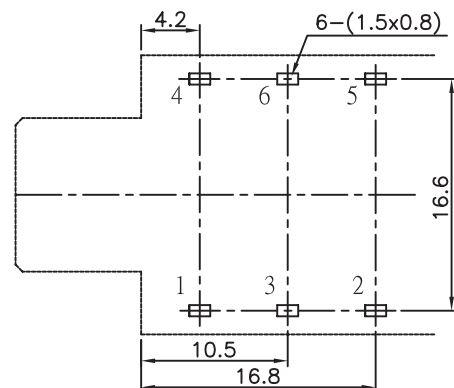
Rated voltage: DC 30 V
 Rated current: 0.5 A
 Contact resistance: 0.03Ω, max
 Insulation resistance: 100MΩ, min
 Pressure: AC500V (50Hz) / 1minute
 Insertion Force :2-20 N
 Life: 50000 times
 Operating Temperature:-30°C ~ 70°C

Material:

Housing : PC
 Contact foot : Brass
 Spring : Phosrhor Bronze



SCHEMATIC			
TG6.3-006GA	TG6.3-006G	TG6.3-006GB	TG6.3-006GC



T:1.6 Dimensions of PC board holes
 Tolerance : ±0.1(Printed-top view)

ORDER INFORMATION

Product NO.: KLS1-TG6.3-006GA

