

## Stereo Jack Series

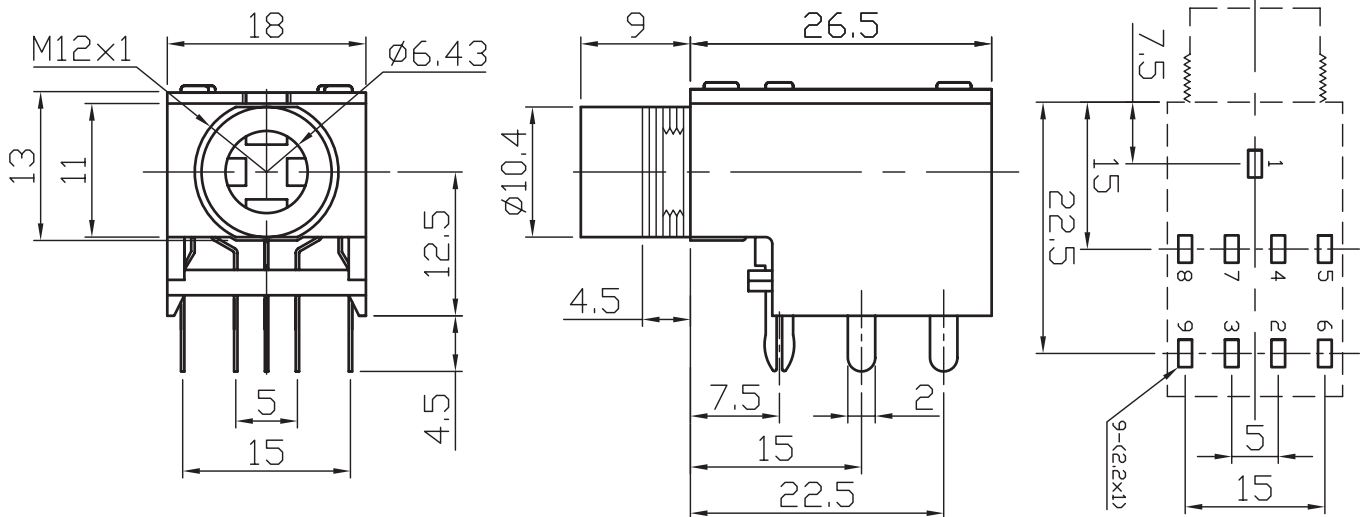
KLS1-TG6.3-012B (Stereo Jack Series)

### Technical parameters:

Technical parameters:  
 Contact resistance: 0.03Ω, max  
 Insulation resistance: 100MΩ, min  
 Rated Load: DC 50V 1A  
 Withstand voltage: 500V AC / 1 minute/50Hz  
 Insertion Force :5-40 N  
 Life: 5000 times  
 Operating Temperature:-30°C ~ 70°C

### Material:

Housing: PC  
 Contacts: copper



TG6.3-012B	TG6.3-012BA	TG6.3-012BB	TG6.3-012BC	TG6.3-012BD	TG6.3-012BE	TG6.3-012BF	TG6.3-012BG	TG6.3-012BH	TG6.3-012BI

## ORDER INFORMATION

Product NO.: KLS1-TG6.3-012BA

