

Stereo Jack Series

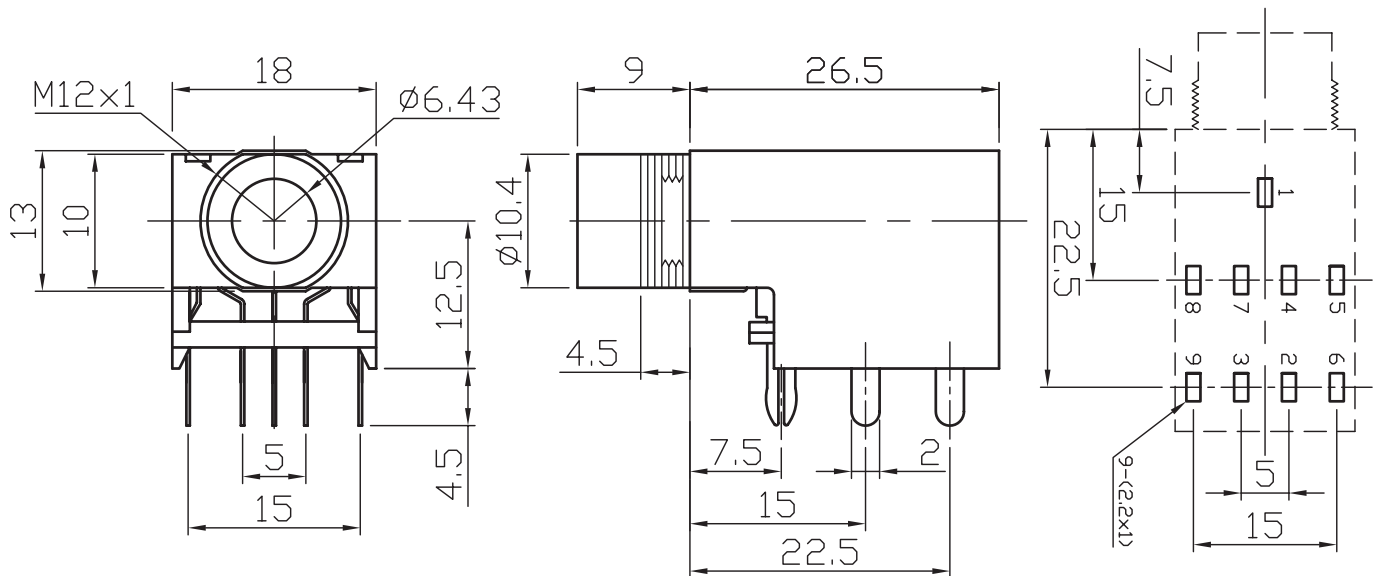
KLS1-TG6.3-012C (Stereo Jack Series)

Technical parameters:

Technical parameters:
 Contact resistance: 0.03Ω, max
 Insulation resistance: 100MΩ, min
 Rated Load: DC 50V 1A
 Withstand voltage: 500V AC / 1 minute/50Hz
 Insertion Force :5-40 N
 Life: 5000 times
 Operating Temperature:-30°C ~ 70°C

Material:

Housing: PC
 Contacts: copper



TG6.3-012C	TG6.3-012CA	TG6.3-012CB	TG6.3-012CC	TG6.3-012CD	TG6.3-012CE	TG6.3-012CF	TG6.3-012CG	TG6.3-012CH	TG6.3-012CI

ORDER INFORMATION

Product NO.: KLS1-TG6.3-012CA

Pos. NO.

Schematic: See Annex

6.3mm Stereo Jack Series