

Stereo Jack Series

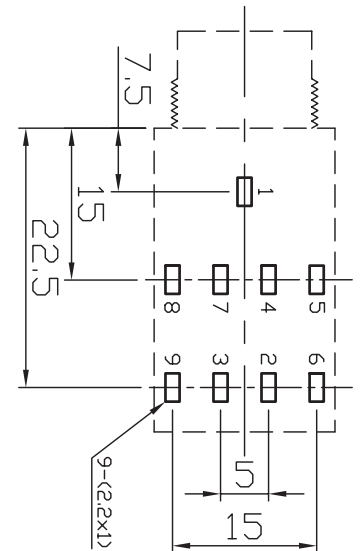
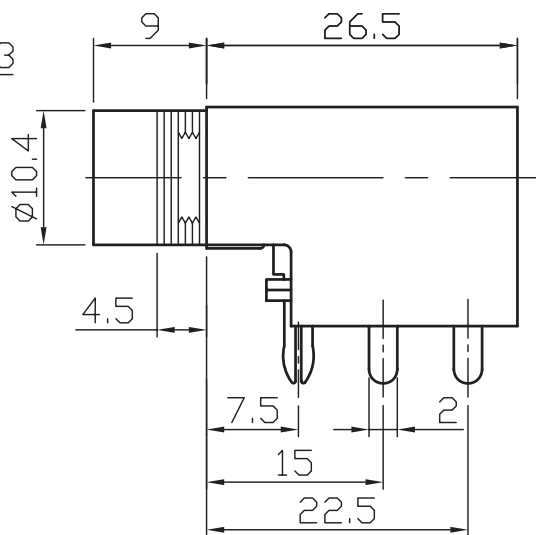
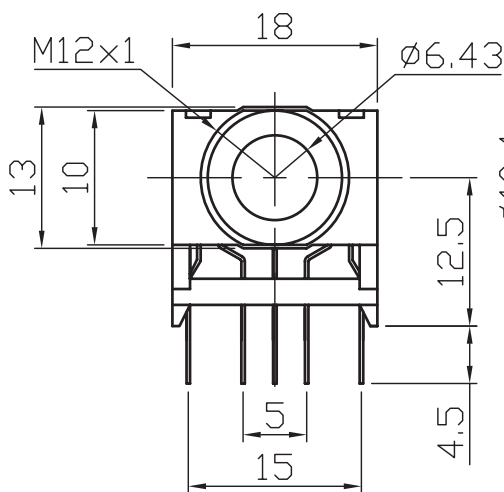
KLS1-TG6.3-012D (Stereo Jack Series)

Technical parameters:

Technical parameters:
 Contact resistance: 0.03Ω, max
 Insulation resistance: 100MΩ, min
 Rated Load: DC 50V 1A
 Withstand voltage: 500V AC / 1 minute/50Hz
 Insertion Force :5-40 N
 Life: 5000 times
 Operating Temperature:-30°C ~ 70°C

Material:

Housing: PC
 Contacts: copper



TG6.3-012D	TG6.3-012DA	TG6.3-012DB	TG6.3-012DC	TG6.3-012DD	TG6.3-012DE	TG6.3-012DF	TG6.3-012DG	TG6.3-012DH	TG6.3-012DI

ORDER INFORMATION

Product NO.: KLS1-TG6.3-012DA

