

Stereo Jack Series

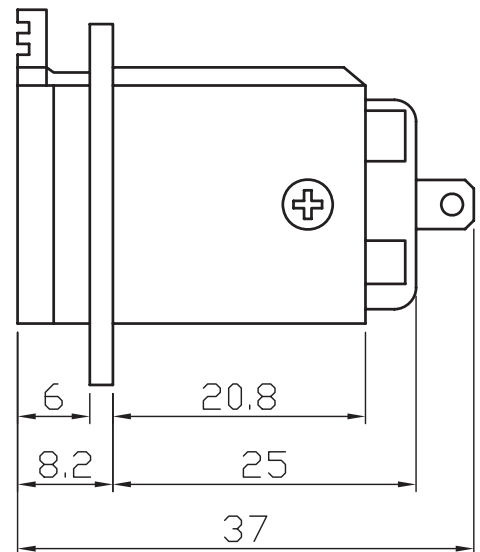
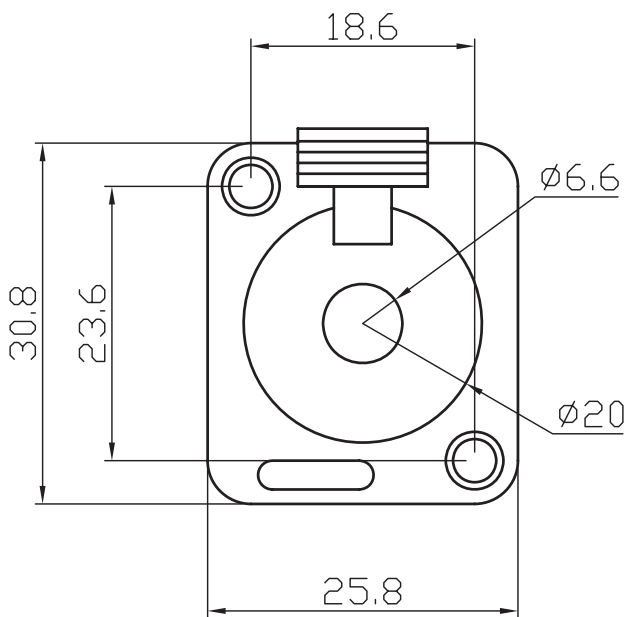
KLS1-TG6.3-013B (Stereo Jack Series)

Technical parameters:

Technical parameters:
Contact resistance: 0.03Ω, max
Insulation resistance: 100MΩ, min
Rated Load: DC 50V 1A
Withstand voltage: 500V AC / 1 minute/50Hz
Insertion Force :5-40 N
Life: 5000 times
Operating Temperature:-30°C ~ 70°C

Material:

Housing: PC
Contacts: copper



ORDER INFORMATION

Product NO.: KLS1-TG6.3-013B

Pos. NO.

6.3mm Stereo Jack Series