

Stereo Jack Series

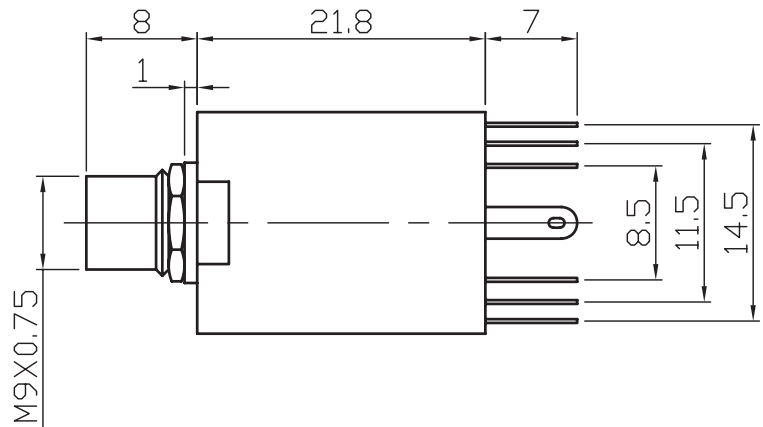
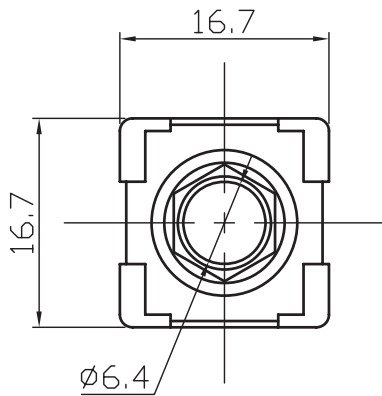
KLS1-TG6.3-005A (Stereo Jack Series)

Technical parameters:

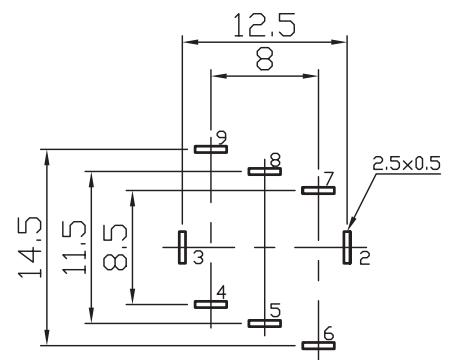
Rated voltage: DC 30 V
 Rated current: 0.5 A
 Contact resistance: 0.03Ω, max
 Insulation resistance: 100MΩ, min
 Pressure: AC500V (50Hz) / 1minute
 Insertion Force :2-20 N
 Life: 50000 times
 Operating Temperature:-30°C ~ 70°C

Material:

Washer: IRON
 Ring Spring: C5191
 Bushing-1 / Housing: ABS
 Nut / Bushing-2 / Shunt Terminal / Earth Terminal: C2680



TG6.3-005AA	TG6.3-005A	TG6.3-005AB	TG6.3-005AC	TG6.3-005AD	TG6.3-005AE	TG6.3-005AF



ORDER INFORMATION

Product NO.: KLS1-TG6.3-005AA

