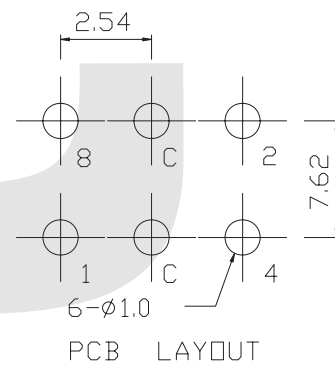
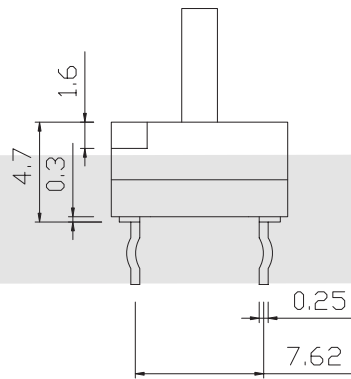
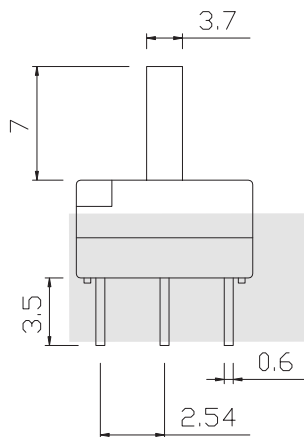
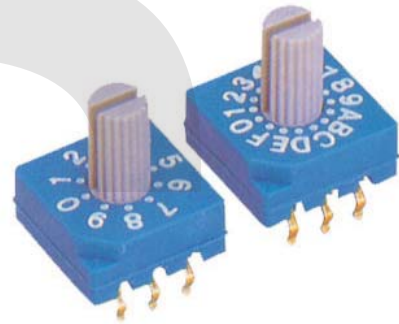
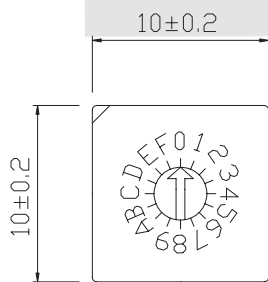


DIP Switch Series

KLS7-RS31607 Rotary Dip Switch Series

ELECTRICAL

Switching: 25mA, 24VDC
 No-switching: 100mA, 50VDC
 Contact resistance: 100m Max.
 Insulation resistance: 1000M Min. at 100VDC
 Dielectric strength: 250VAC for 60 seconds



PIN NO.	POSITION															
	0	1	2	3	4	5	6	7	8	9	A	B	C	D	E	F
1	○	●	○	●	○	●	○	●	○	●	○	●	○	●	○	●
2	○	○	●	●	○	○	●	●	○	○	●	●	○	○	●	●
4	○	○	○	○	●	●	●	●	○	○	○	○	●	●	●	●
8	○	○	○	○	○	○	○	○	●	●	●	●	●	●	●	●

- Real Code Rotor
Color: Yellow (3:3)
- Complement Code Rotor
Color: Red (3:3)

ORDER INFORMATION

KLS7-RS31607

Part Number: KLS7-RS31607

Handle: 00 - Flat
 03 - 3.0mm
 07 - 7.0mm
 13 - ∅10x3mm wheel

Codes: 10=BCD 10 Position
 50=BCD Compl 10 Position
 00=Others

16=BCD 16 Position
 56=BCD Compl 16 Position

Terminations: 2=3x2 3=3x3 4=4x1