

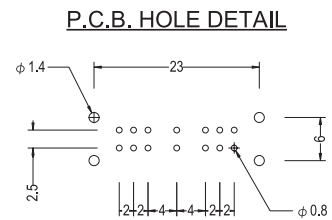
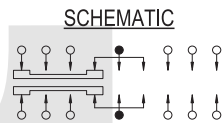
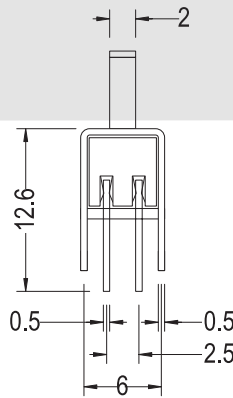
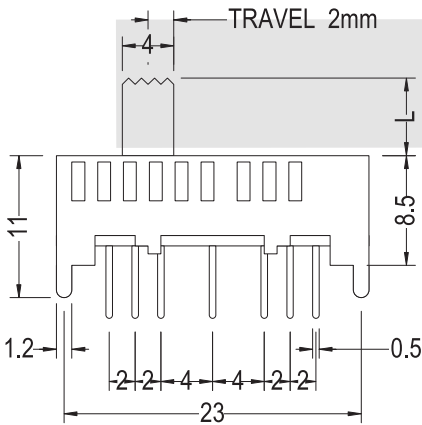
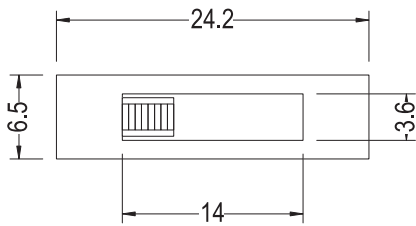
# Switch

## Slide Switch Series

KLS7-SS65-26D02 (2P5T) Slide Switch Series

### SPECIFICATIONS

- Rating: 0.3A 50VDC
- Contact Resistance: 30mΩ Max
- Insulation Resistance: 500VDC 100MΩ Min
- Dielectric Strength: 500V AC 1 Minute
- Operating Force: 100gf~800gf
- Electrical Life : 10,000 cycles



## ORDER INFORMATION

**KLS7-SS65 - 2 6 D 02 - X X - X**

- Part Number
- Slide Switch Type
- Pole
- Throw
- Operating Force
- Knobe Height
- Sequential No.

| Travelling |     |     |     |     |     |
|------------|-----|-----|-----|-----|-----|
| C          | D   | E   | F   | G   | H   |
| 1.5        | 2.0 | 2.5 | 3.0 | 3.5 | 4.0 |
| I          | J   | K   | L   | N   | P   |
| 4.5        | 5.0 | 5.5 | 6.0 | 7.0 | 8.0 |

