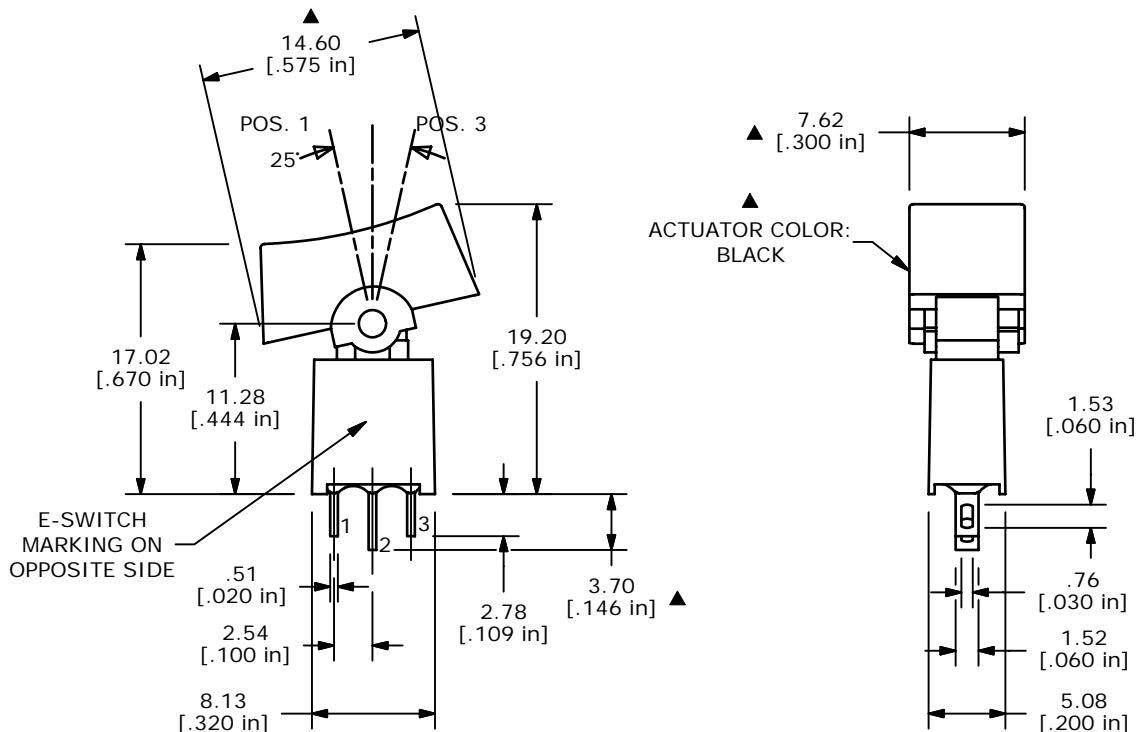
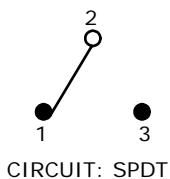


ISOMETRIC



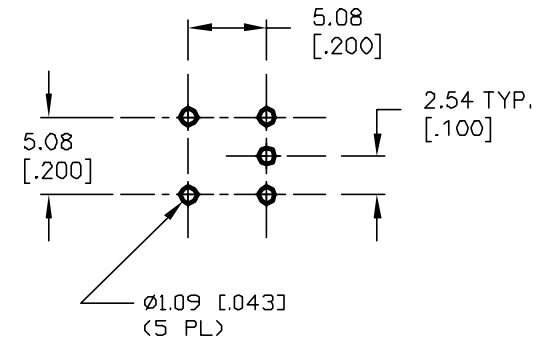
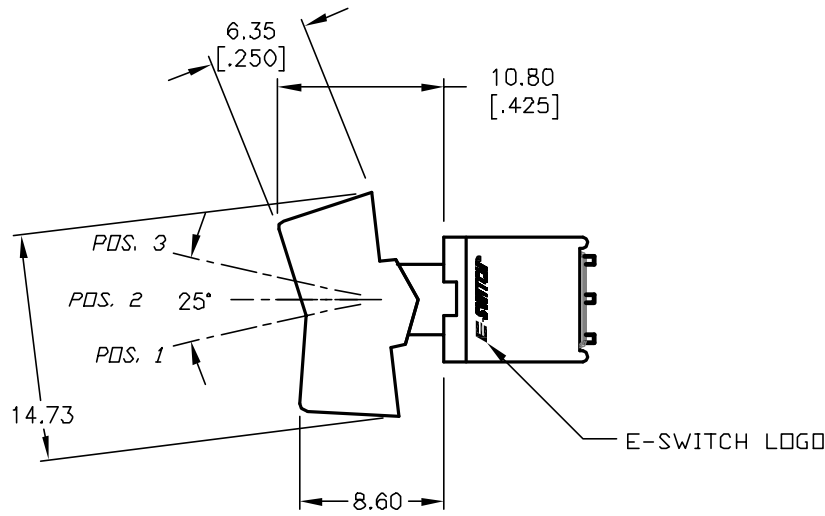
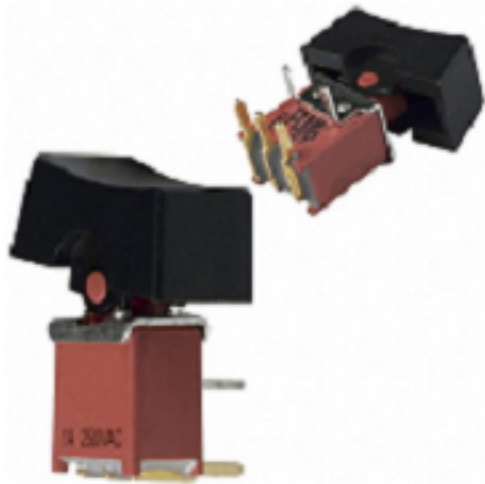
Sealed Sub-miniature Toggle switch
SPECIFICATIONS

Rating: 3A 125VAC; 1A 250VAC
 Contact Resistance: 20M max
 Insulation Resistance: 500V DC 1000M Min
 Dielectric Strength: 1000V AC 1 Minute
 Operating Temperature: -30oC +85oC
 Electrical Life :20,000 cycles

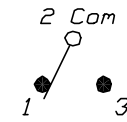
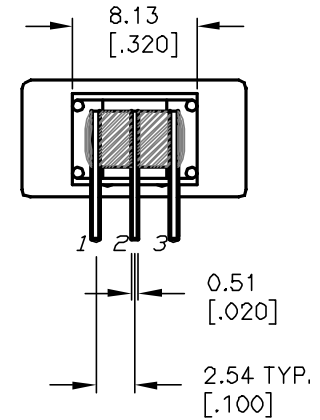
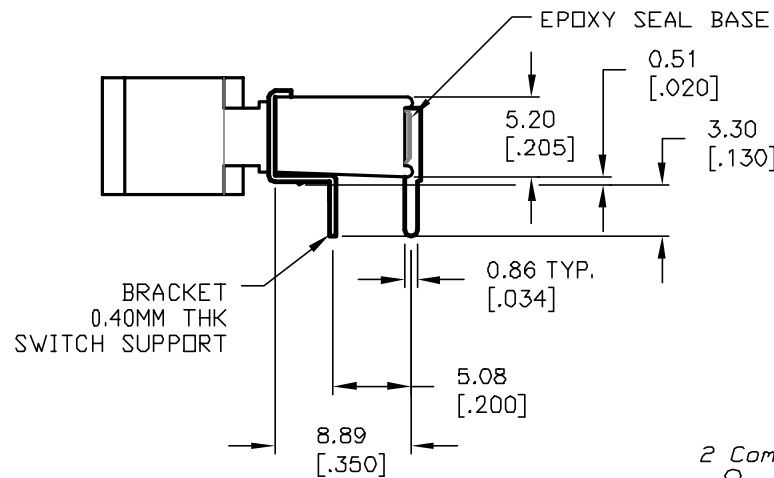
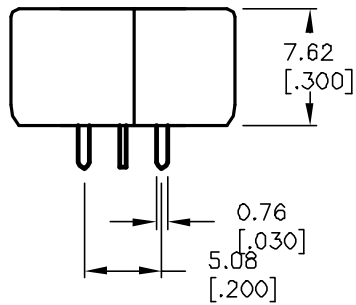
C	17456	16.53 DIM ON BODY TO 17.02	7/11/07	TN
B	17443	FIXED DIM 4.06 TO 3.7 ADD NOTE 11	7/6/07	TN
A	14615	RELEASED FOR PRODUCTION	1/13/05	AR
REV	PCR NO	DESCRIPTION	DATE	BY

THE INFORMATION CONTAINED IN THIS DOCUMENT IS PROPRIETARY TO E-SWITCH AND IS NOT TO BE COPIED OR TRANSFERRED

KLS ELECTRONIC CO.,LTD.				
TITLE KLS7-SMS-6A1				
SCALE	DATE	DR	DWG	REV
2:1	7/11/2007	TN	T403019	C



RECOMMENDED P.C.B. LAYOUT



CIRCUIT: SPDT

Sealed Sub-miniature Toggle switch
SPECIFICATIONS
 Rating: 3A 125VAC; 1A 250VAC
 Contact Resistance: 20M Ω max
 Insulation Resistance: 500V DC 1000M Ω Min
 Dielectric Strength: 1000V AC 1 Minute
 Operating Temperature: -30oC +85oC
 Electrical Life :20,000 cycles

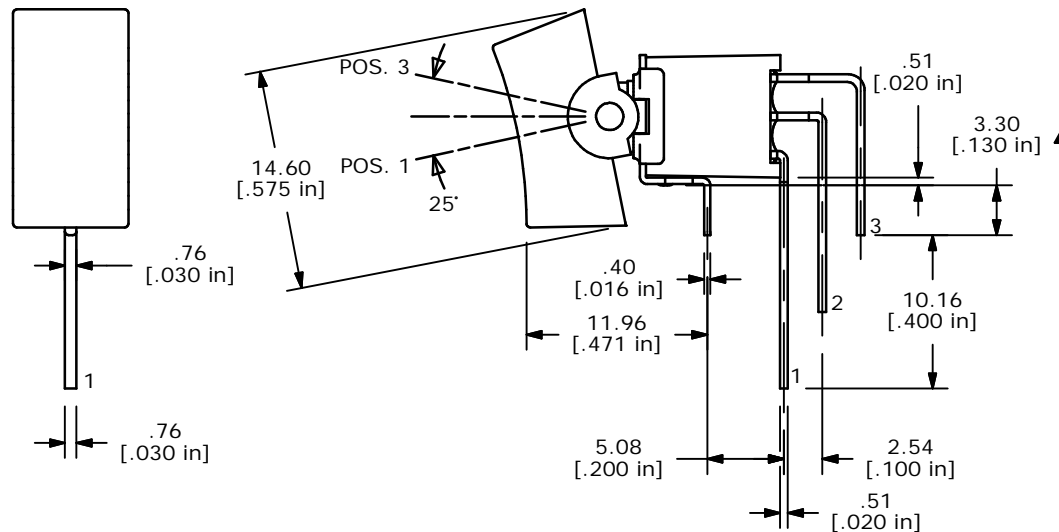
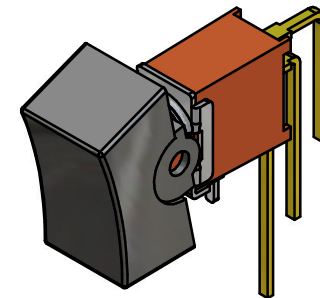
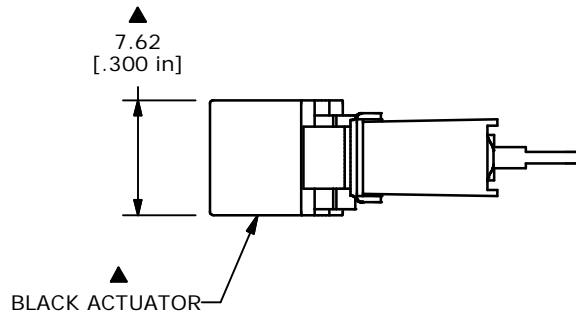
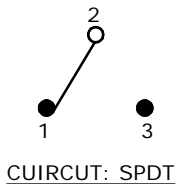
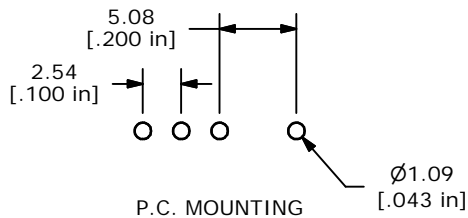
KLS ELECTRONIC CO.,LTD.

A	12801	RELEASED	2/6/03	CJB
REV.	ECN No.	DESCRIPTION	DATE	CHKD

TITLE				
KLS7-SMS-6A2				

THE INFORMATION CONTAINED IN THIS DOCUMENT IS PROPRIETARY TO E-SWITCH AND IS NOT TO BE COPIED OR TRANSFERRED

SCALE	DATE	DR	DWG	REV
2:1	2/6/03	CJB	T403111	A



Sealed Sub-miniature Toggle switch

SPECIFICATIONS

Rating: 3A 125VAC; 1A 250VAC

Contact Resistance: 20M Ω max

Insulation Resistance: 500V DC 1000M Ω Min

Dielectric Strength: 1000V AC 1 Minute

Operating Temperature: -30oC +85oC

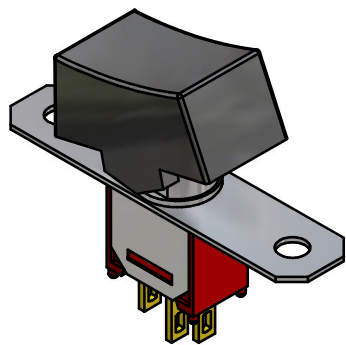
Electrical Life :20,000 cycles

KLS ELECTRONIC CO.,LTD.

A	14617	RELEASED FOR PRODUCTION	1/20/05	AR
REV	PCR NO	DESCRIPTION	DATE	BY

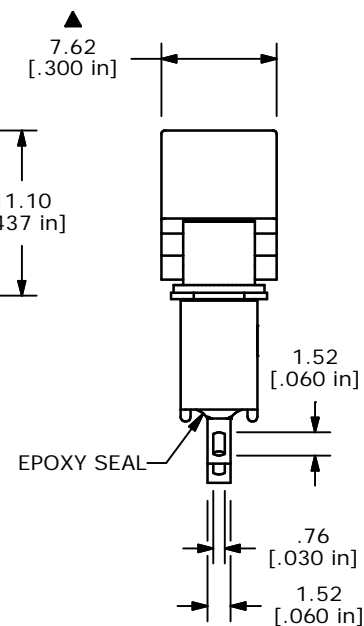
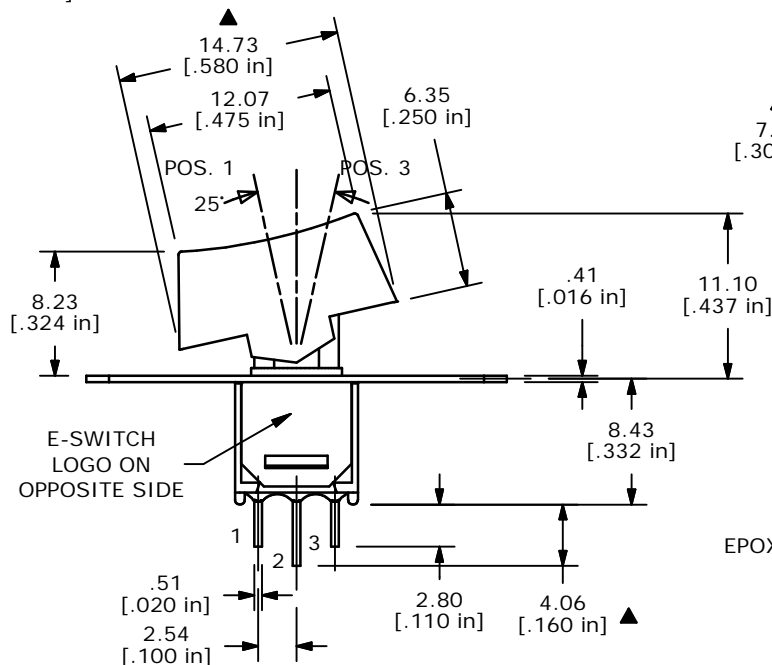
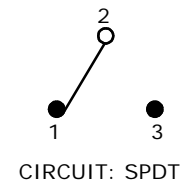
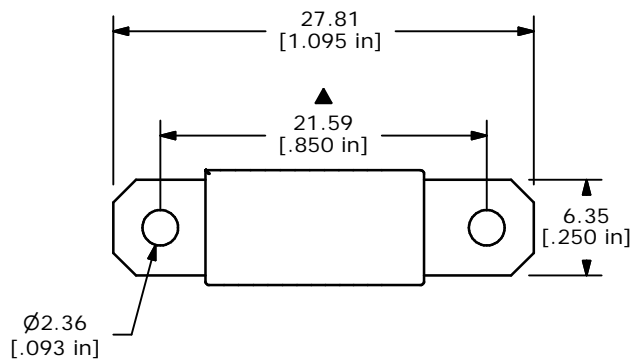
THE INFORMATION CONTAINED IN THIS DOCUMENT IS PROPRIETARY TO E-SWITCH AND IS NOT TO BE COPIED OR TRANSFERRED

TITLE				
KLS7-SMS-6A3				
SCALE	DATE	DR	DWG	REV
2:1	1/20/05	AR	T403020	A



ISOMETRIC

Sealed Sub-miniature Toggle switch
SPECIFICATIONS
 Rating: 3A 125VAC; 1A 250VAC
 Contact Resistance: 20M Ω max
 Insulation Resistance: 500V DC 1000M Ω Min
 Dielectric Strength: 1000V AC 1 Minute
 Operating Temperature: -30 $^{\circ}$ C +85 $^{\circ}$ C
 Electrical Life :20,000 cycles



KLS ELECTRONIC CO.,LTD.

A	14618	RELEASED FOR PRODUCTION	1/12/05	AR
REV	PCR NO	DESCRIPTION	DATE	BY

THE INFORMATION CONTAINED IN THIS DOCUMENT IS PROPRIETARY TO E-SWITCH AND IS NOT TO BE COPIED OR TRANSFERRED

TITLE				
KLS7-SMS-6A4				
SCALE	DATE	DR	DWG	REV
2:1	1/12/05	AR	T411009	A