

SPECIFICATION:

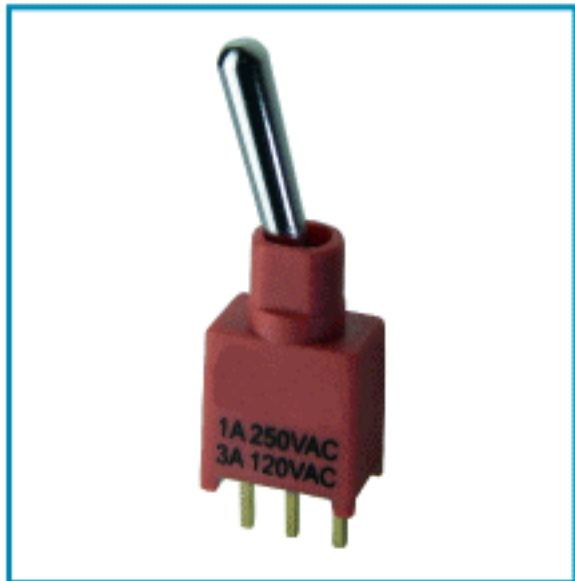
Contact rating	: Silver : 3A 120V AC/28V DC, 1A 250V AC. Gold : 0.4VA, 20V DC Max.
Mechanical life	: 30,000 Make-and-break cycles.
Contact resistance	: 20mΩ Max.initial @2-4V DC. 100mA for both Silver and Gold plated contacts.
Insulation resistance	: 1,000MΩ Min.
Withstand voltage	: 1,000V RMS @ sea level.
Operating temperature	: -30°C ~ +85°C.

MATERIALS:

Case & Bushing	: Glass filled NYLON 66, flame retardant, heat stabilized. (UL94V-0)
Actuator	: Brass, chrome plated, with internal O-ring seal.
Switch support	: Brass or Steel, Tin plated.
Contact	: Silver or Gold plated Copper alloy.

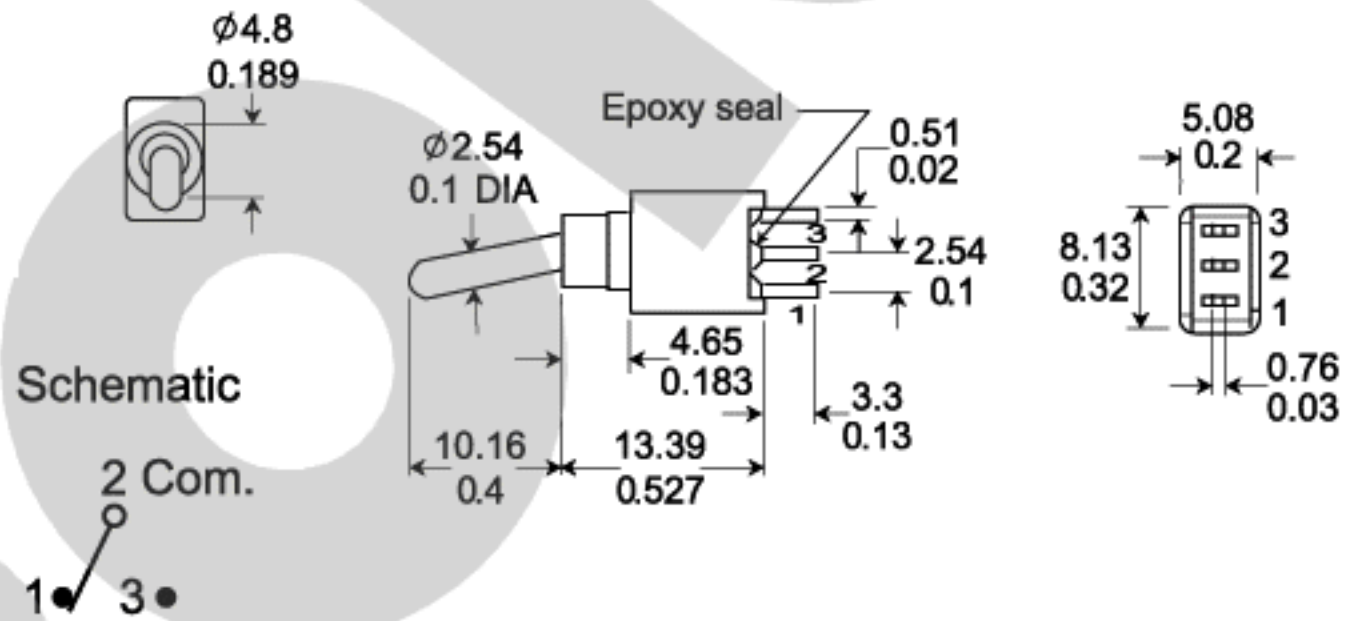
(ON): MOMENTARY

SPDT

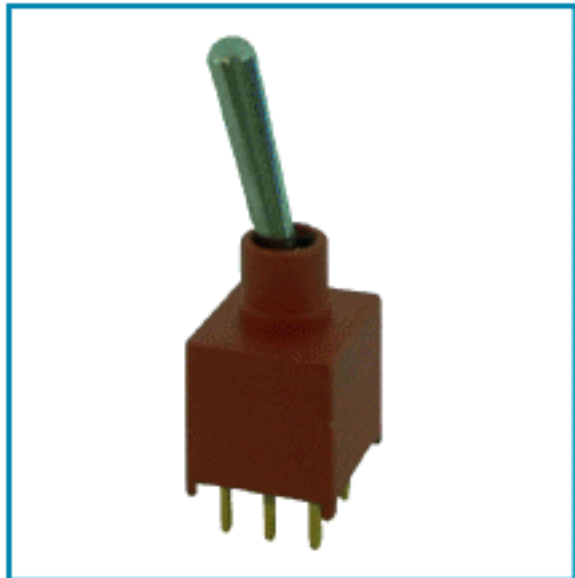


SMS-5A

MODEL NO.	TYPE		
102	ON		ON
103	ON	OFF	ON

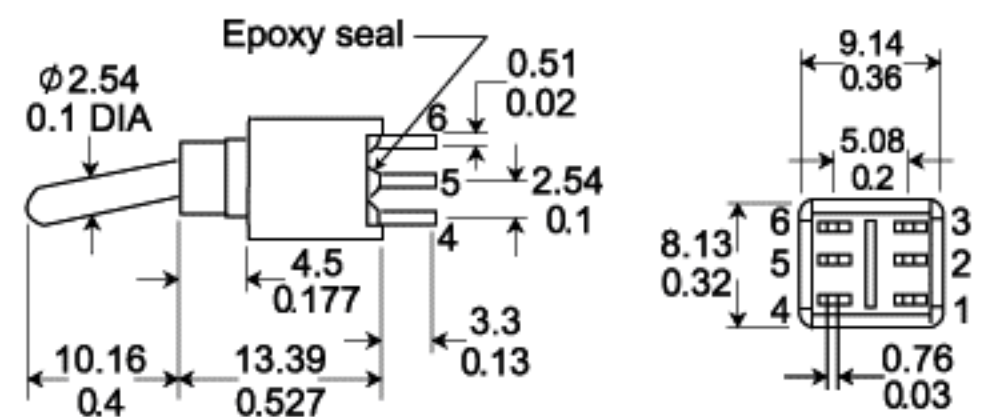
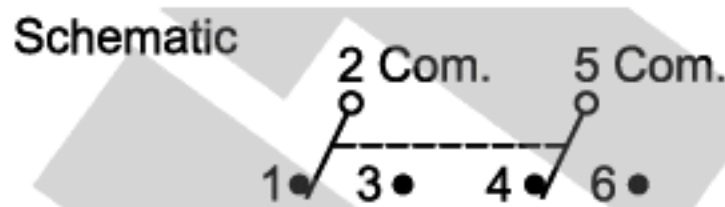


DPDT



SMS-5B1

MODEL NO.	TYPE		
202	ON		ON
203	ON	OFF	ON

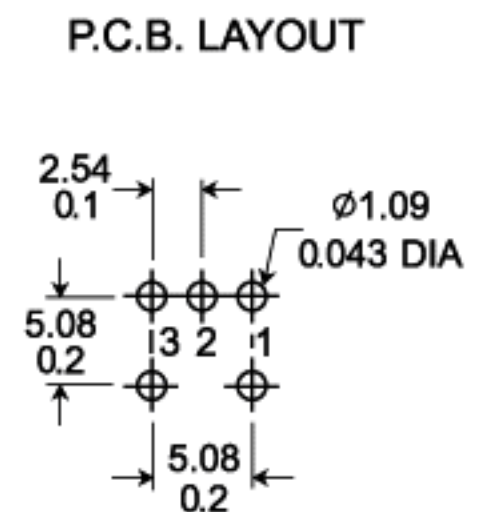
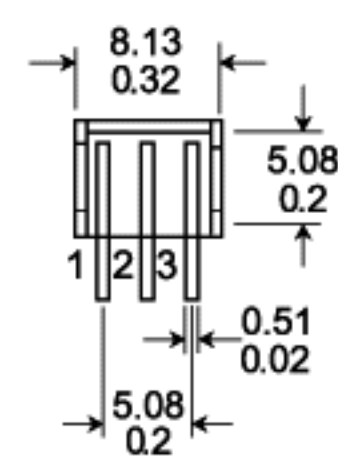
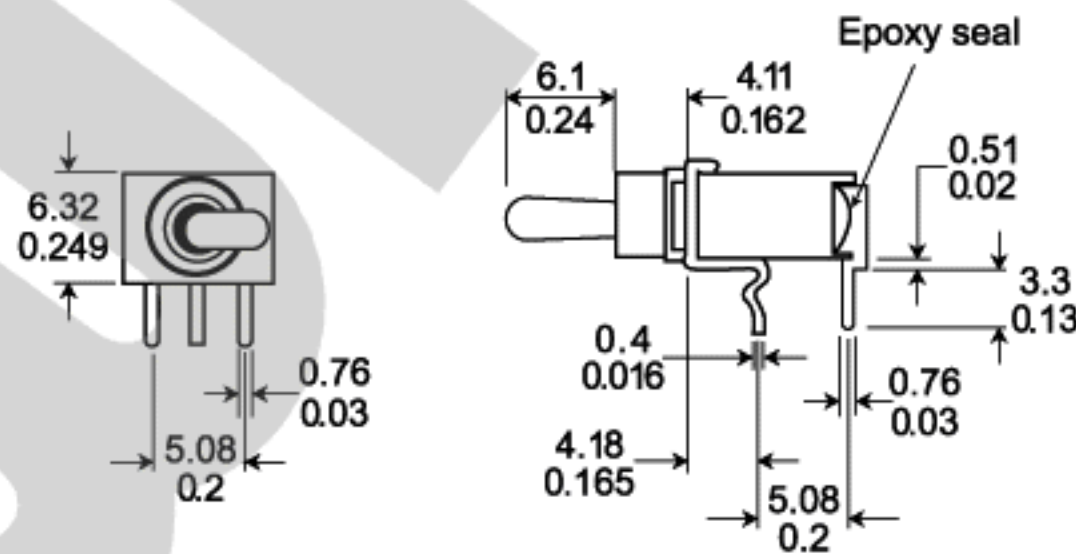


SPDT

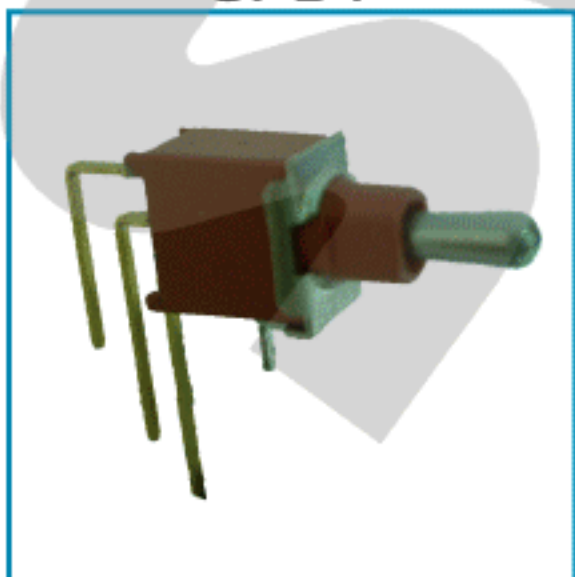
(kink pin)



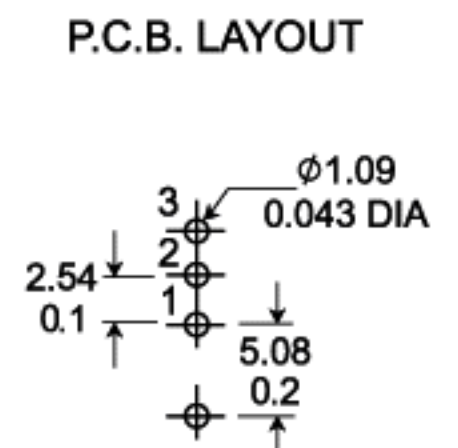
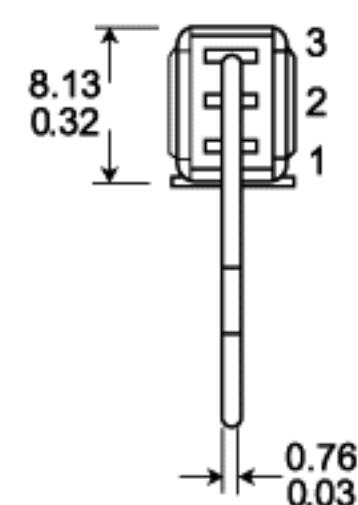
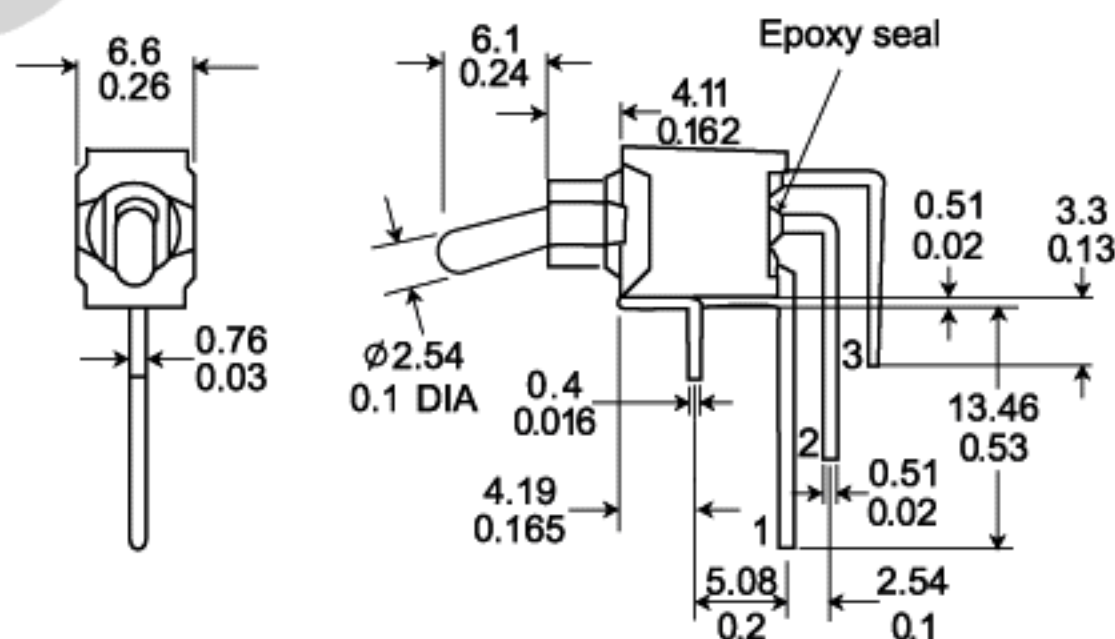
SMS-5A2



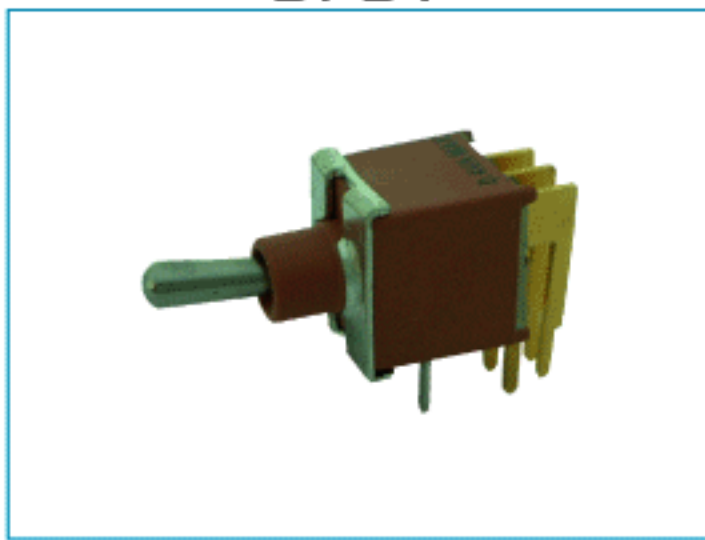
SPDT



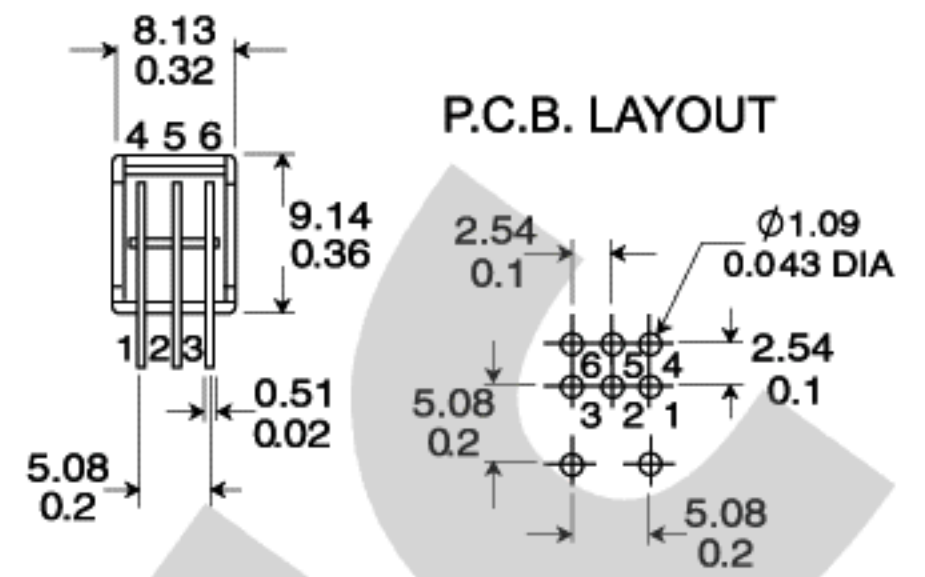
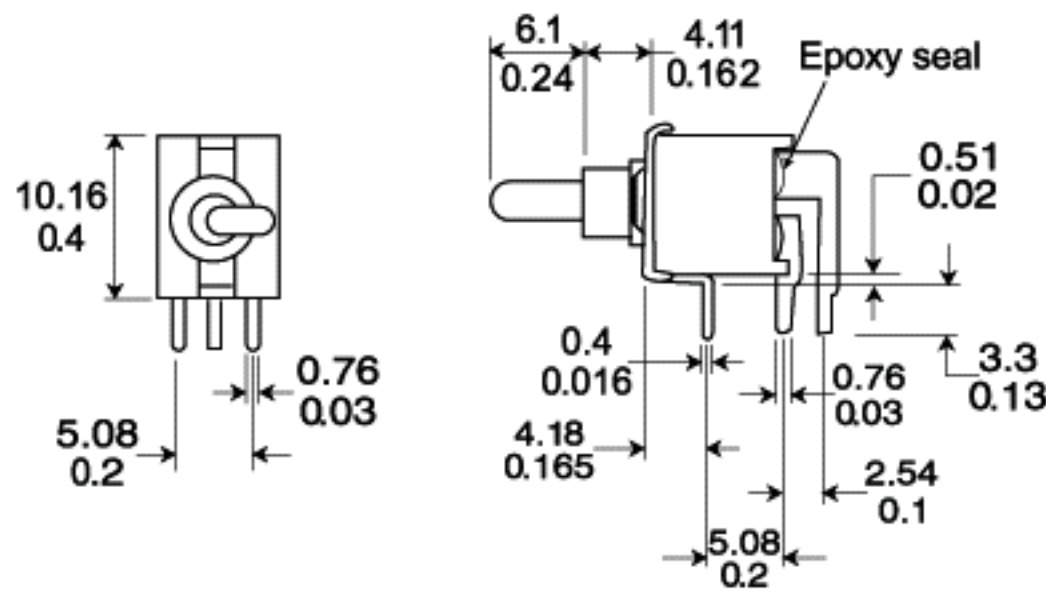
SMS-5A3



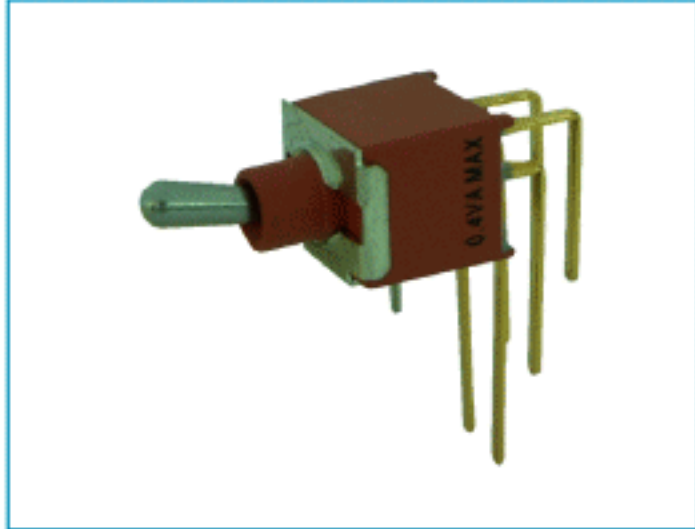
DPDT



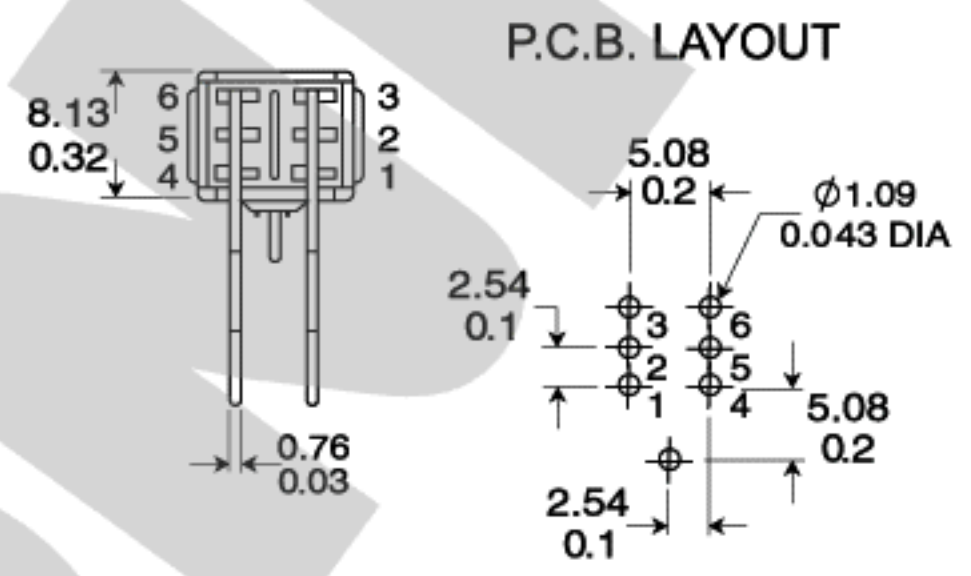
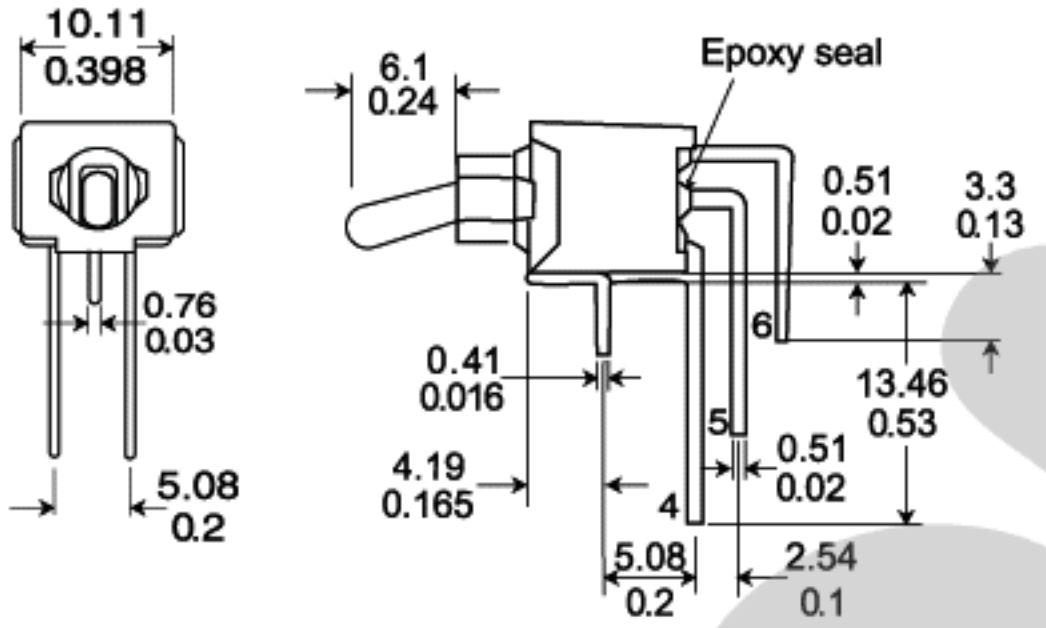
SMS-5B2



DPDT



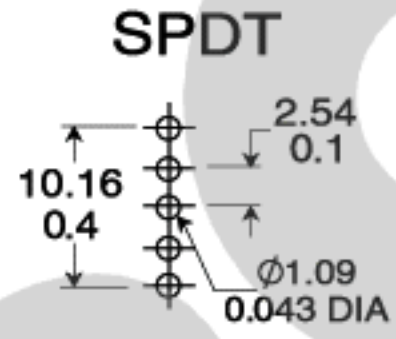
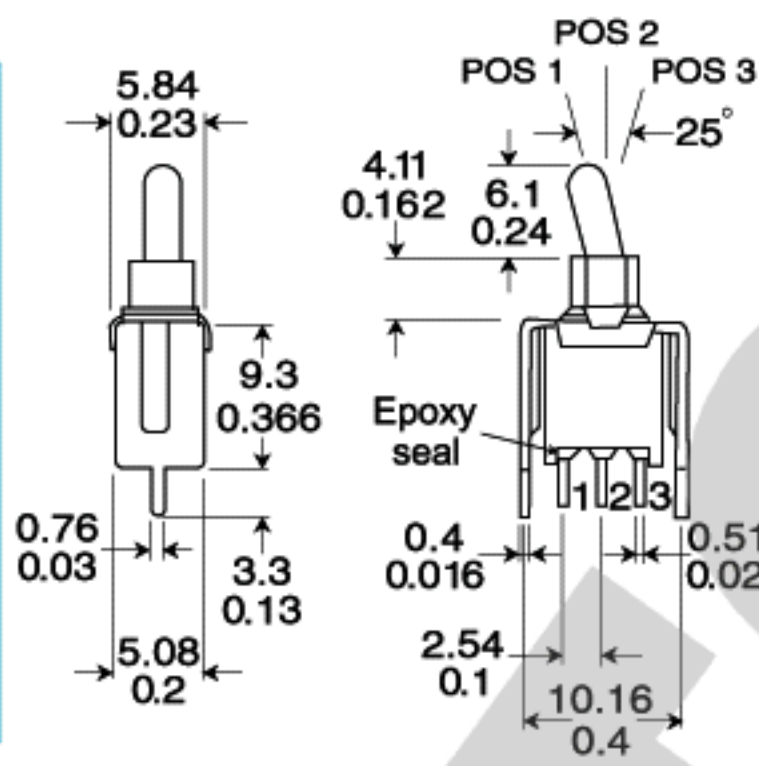
SMS-5B3



SPDT



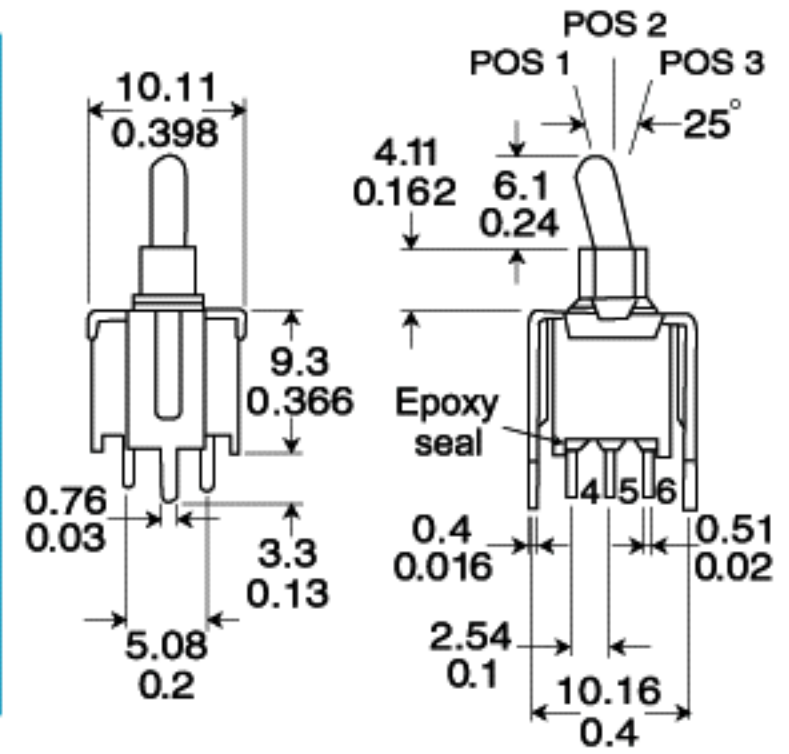
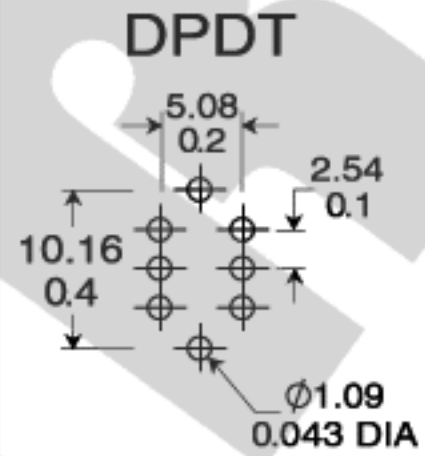
SMS-5A4



DPDT



SMS-5B4



ORDER INFORMATION

KLS7-SMS-5A1-102-A1

Part Number

SMS: Sub-miniature Rocker Switch Series
5A1;5B1;5A2;5A3;5B2;5B3;5A4

POLES: 1=Single Pole
2=Double Pole

Handle Type:A1=10.16mm A2=61.0mm

CIRCUIT: 02=ON-ON
03=ON-OFF-ON