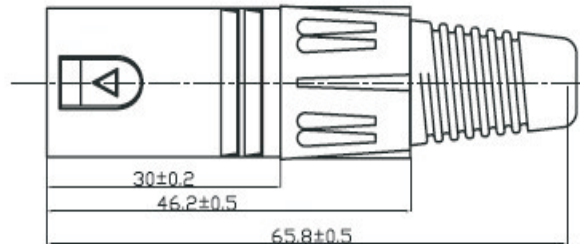
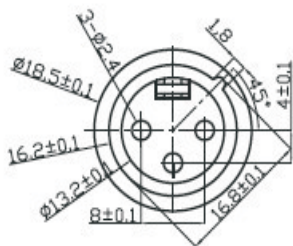
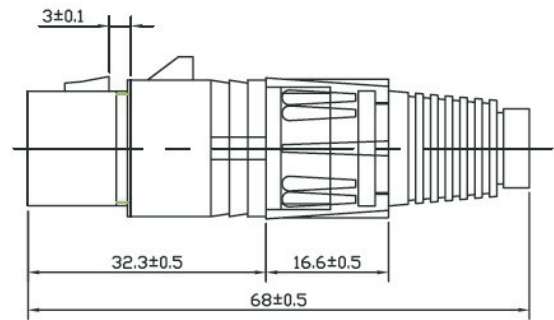
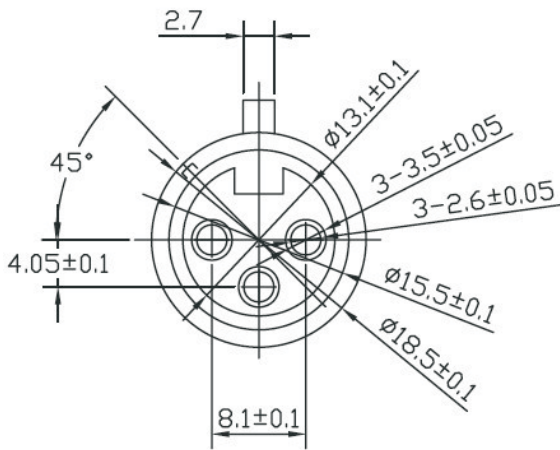


**XLR CONNECTOR SERIES**

KLS1-XLR-P05 (XLR Plug)

**Electrical Specification:**

- Number of contacts: 3
- Contact Resistance:  $\leq 3$  mOhms
- Insulation Resistance Initial:  $> 2$  GOhms
- After Damp Heat Test:  $> 1$  GOhms
- Dielectric Strength: 1500 V dc
- Rated current: 16 A
- Mechanical Lifetime:  $> 1000$  cycles
- Insertion / Withdrawal Force:  $\leq 20$  N
- Cable O.D. Range: 4.0 mm - 8.0 mm
- Temperature Range:  $-30^{\circ}$  C to  $+ 80^{\circ}$  C



**ORDER INFORMATION**

Product NO.:KLS1-XLR-P05-03-F-B

