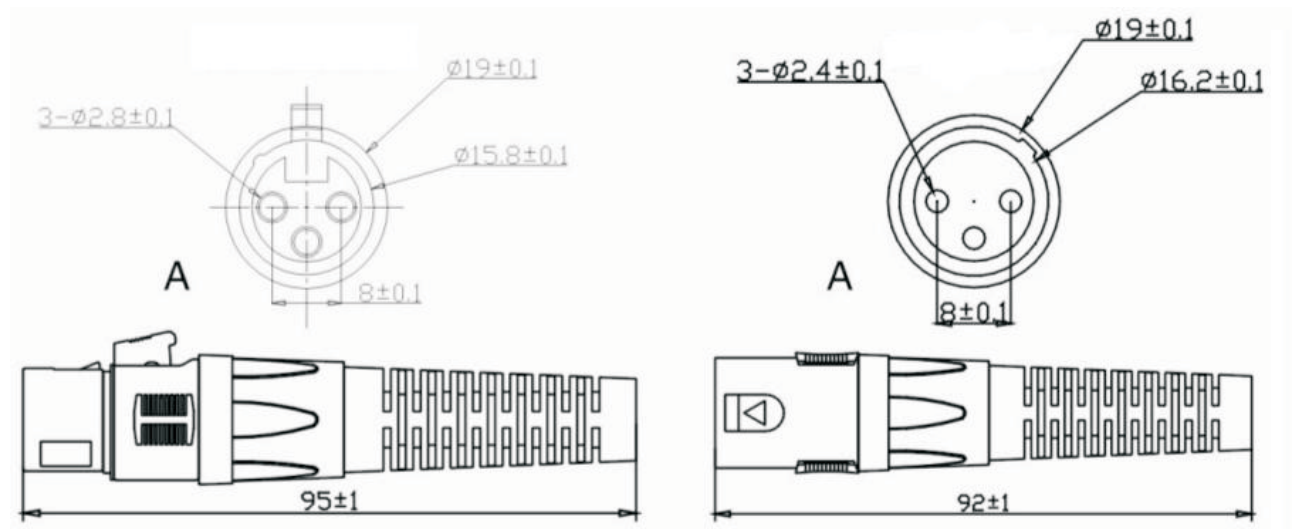


XLR CONNECTOR SERIES

KLS1-XLR-P14 (XLR Plug)

Electrical Specification:

- Number of contacts: 3
- Contact resistance: $\leq 5m \Omega$,
- Insulation resistance: $\geq 5000M \Omega$
- Voltage: 1400V
- Axial fixity: $\geq 100N$
- Foot separation force: $85\pm 5g$
- Insertion force :10-80N



ORDER INFORMATION

Product NO.:KLS1-XLR-P14-03-F-B

