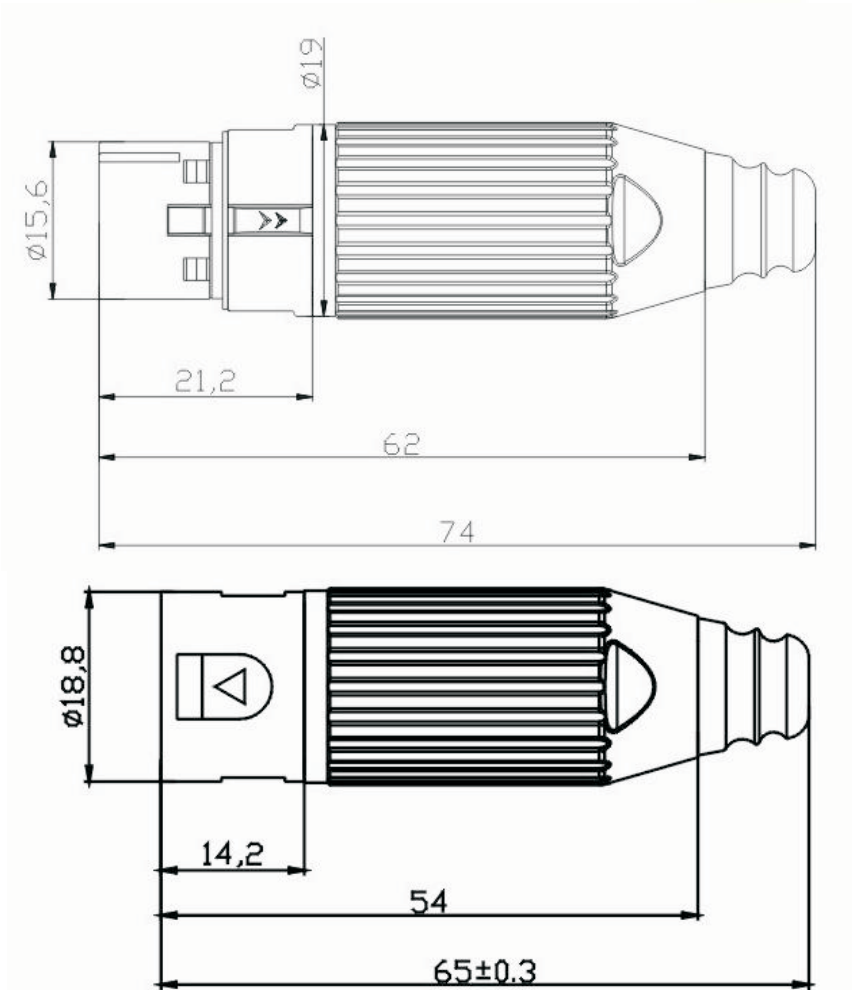


XLR CONNECTOR SERIES

KLS1-XLR-P15 (XLR Plug)

Electrical Specification:

- Number of contacts: 3
- Contact resistance: $\leq 5M \Omega$
- Insulation resistance: $\geq 5000M \Omega$
- Voltage: 1400V
- Axial fixity: $\geq 100N$
- Foot separation force: $85 \pm 5g$
- The Insertion force 10-80N



ORDER INFORMATION

Product NO.:KLS1-XLR-P15-03-F-B

