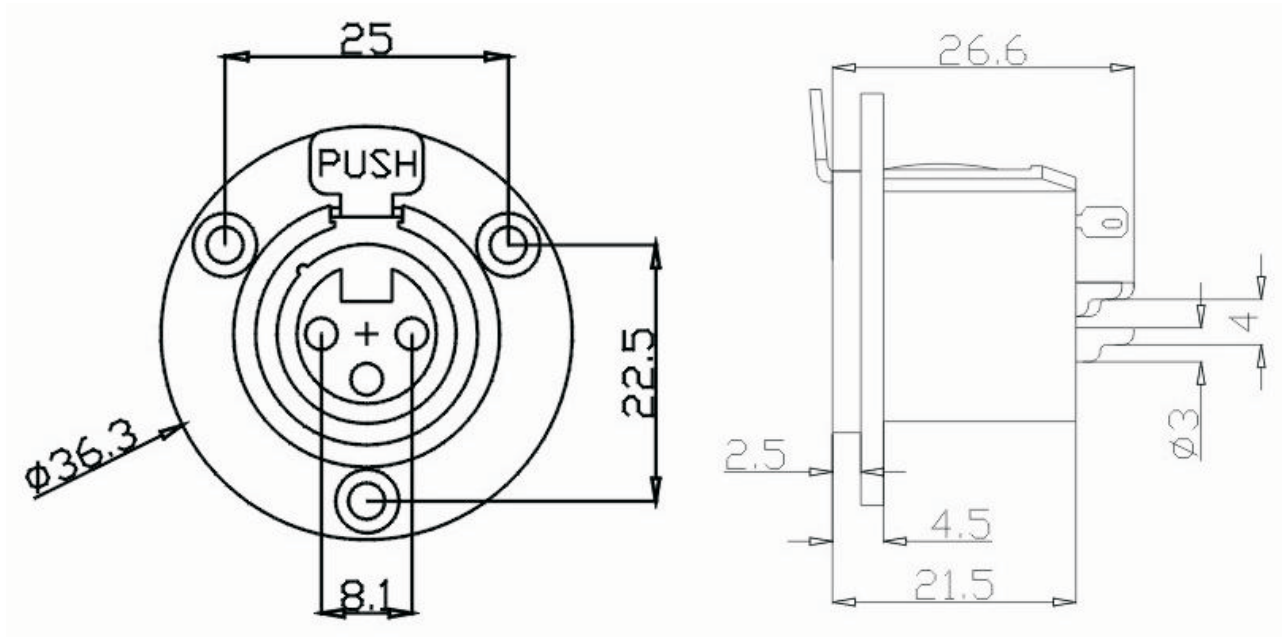


**XLR CONNECTOR SERIES**

KLS1-XLR-S04 (XLR Socket)

**Electrical Specification:**

- Contact resistance:  $\leq 0.03\Omega$
- Insulation resistance:  $\geq 100m\Omega$
- Withstand voltage: 500V AC (50Hz)/minute
- Rated load: 50V DC, 1A
- Insertion and extraction force: 4-40N
- Temperature range:  $-30^{\circ}C$  to  $+80^{\circ}C$



**ORDER INFORMATION**

Product NO.:KLS1-XLR-S04-03-F-S

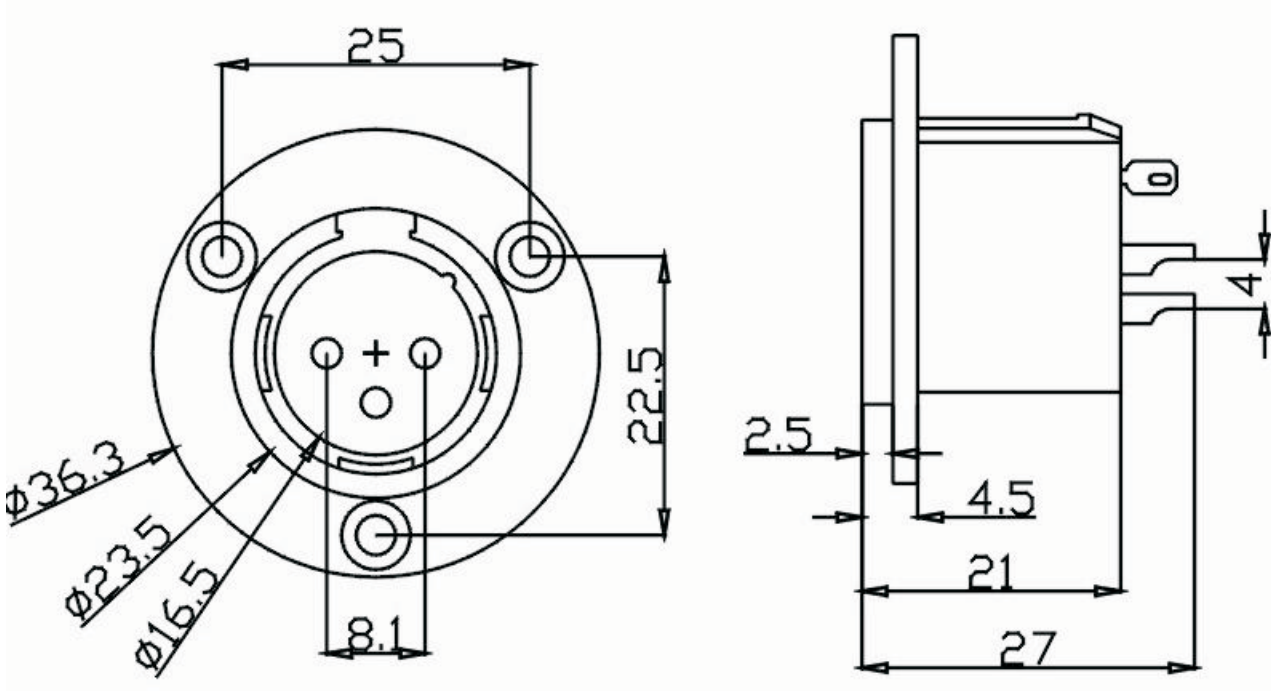


**XLR CONNECTOR SERIES**

KLS1-XLR-S04 (XLR Socket)

**Electrical Specification:**

- Contact resistance:  $\leq 0.03\Omega$
- Insulation resistance:  $\geq 100m\Omega$
- Withstand voltage: 500V AC (50Hz)/minute
- Rated load: 50V DC, 1A
- Insertion and extraction force: 4-40N
- Temperature range: -30° C to + 80° C



**ORDER INFORMATION**

Product NO.:KLS1-XLR-S04-03-M-S

