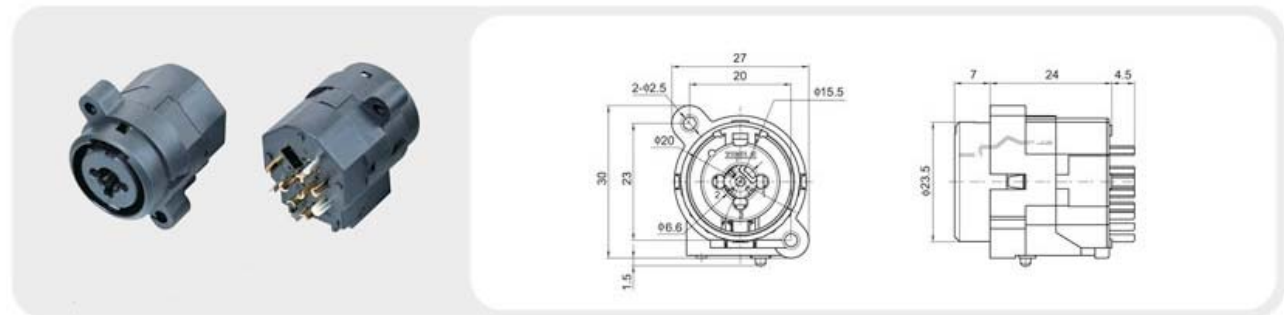


**XLR CONNECTOR SERIES**

KLS1-XLR-S17 (XLR Socket)

**Electrical Specification:**

- Contact resistance:  $\leq 0.03\Omega$
- Insulation resistance:  $\geq 100m\Omega$
- Withstand voltage: 500V AC (50Hz)/minute
- Rated load: 50V DC, 1A
- Insertion and extraction force: 4-40N
- Temperature range:  $-30^{\circ}C \sim +80^{\circ}C$



	01	02	03	04
PCB LAYOUT				
SCHEMATIC LAYOUT				

**ORDER INFORMATION**

Product NO.:KLS1-XLR-S17-01

Pos. NO. \_\_\_\_\_

XLR Jack series \_\_\_\_\_

01, 02, 03 Use this chart to