

## RCA JACK Series

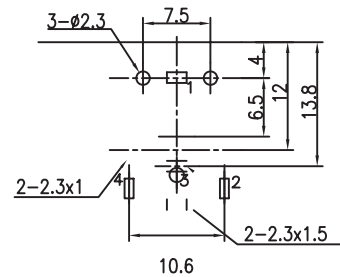
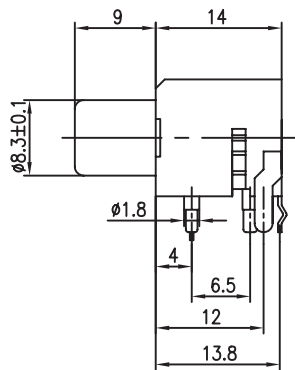
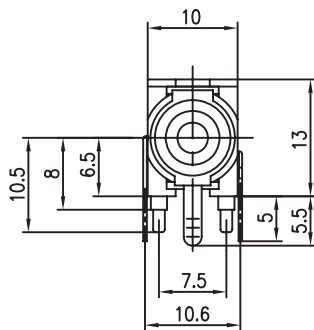
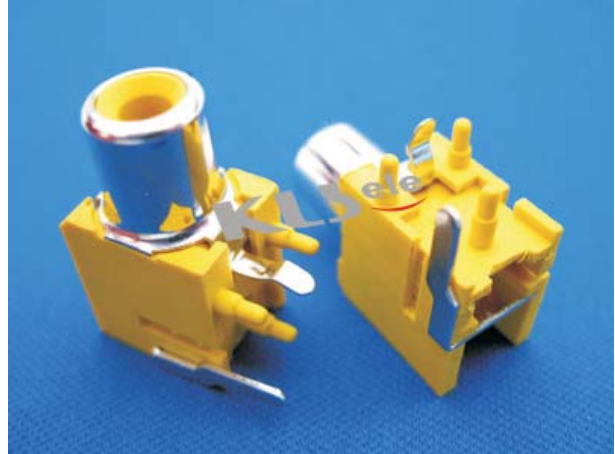
KLS1-RCA-103B RCA Jack PCB Mount Right Angle

### Electrical Specification:

Contact resistance : 30mΩ Max  
Insulation resistance : 50MΩ Min at DC 500V  
Withstand voltage : AC 500V(50Hz) 1min  
Operating Temperature : -25°C~+85°C

### Materials

Housing : PBT UL94V~0  
Outer Contact : Brass  
Tip Spring : QSn6.5-0.1  
Shunt Spring : Brass  
Terminal : Brass



T:1.6 Dimensions of PC board holes  
Tolerance : ±0.1(Printed-side view)

MODEL NO.	RCA-103B-V	RCA-103B-U	RCA-103B-W
SCHEMATIC			

## ORDER INFORMATION

Product NO.: KLS1-RCA-103B-W-N-R

Pos. NO. \_\_\_\_\_  
RCA Jack Type \_\_\_\_\_  
N:Nickel Plated \_\_\_\_\_  
Color: R: Red  
B: Black  
Y: Yellow  
W: White