

## RCA JACK Series

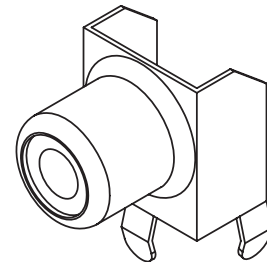
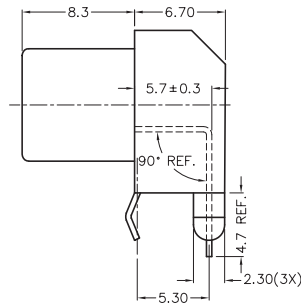
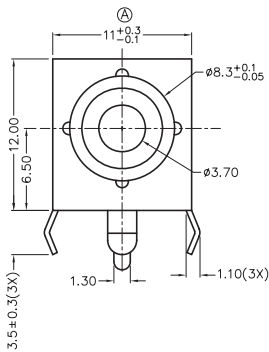
KLS1-RCA-110 Metal R/A PCB Mount RCA Jack

### Electrical Specification:

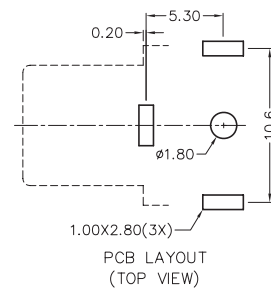
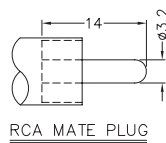
Contact resistance : 30mΩ Max  
 Insulation resistance : 50MΩ Min at DC 500V  
 Withstand voltage : AC 500V(50Hz) 1min  
 Operating Temperature : -25°C~+85°C

### Materials:

Insulator : PBT UL94V-0  
 Body : Steel  
 Terminal : Brass



MODEL NO.	RCA-110
SCHEMATIC	



## ORDER INFORMATION

Product NO.: KLS1-RCA-110-N-R

Pos. NO. \_\_\_\_\_  
 RCA Jack Type \_\_\_\_\_  
 G:Nickel Plated \_\_\_\_\_  
 Color: R:Red  
 B:Black  
 Y:Yellow  
 W:White  
 G:Green  
 L:Blue