

RCA JACK Series

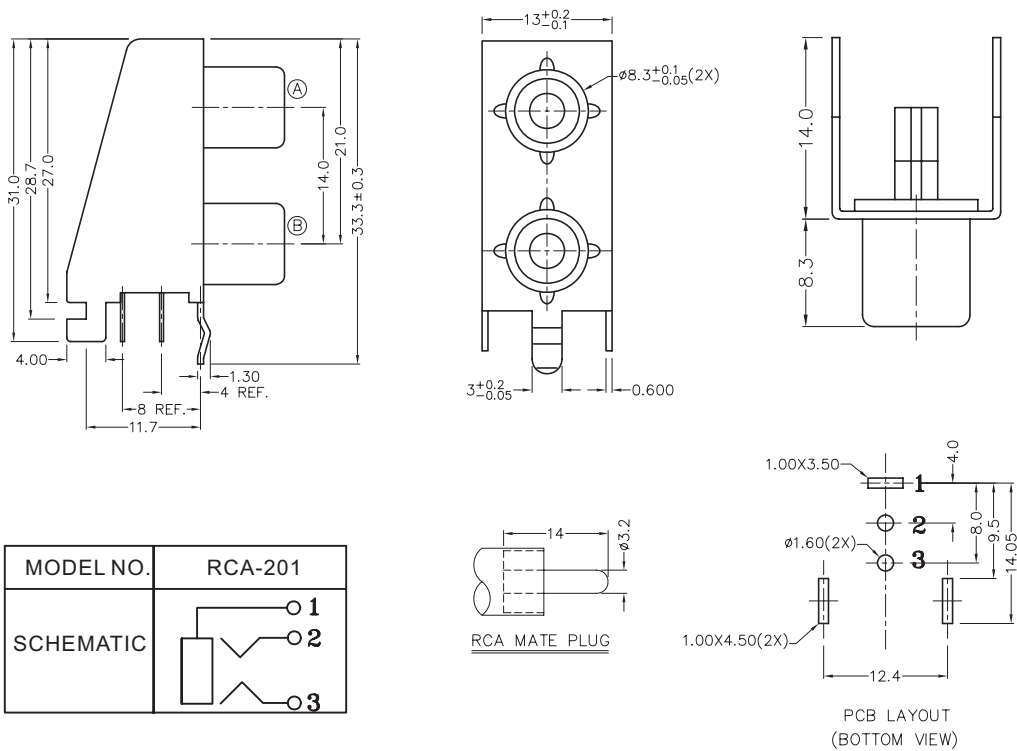
KLS1-RCA-201 Metal R/A PCB Mount Dual RCA Jack

Electrical Specification:

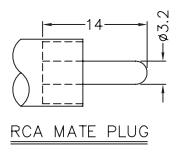
Contact resistance : 30mΩ Max
 Insulation resistance : 50MΩ Min at DC 500V
 Withstand voltage : AC 500V(50Hz) 1min
 Operating Temperature : -25°C~+85°C

Materials:

Barrel : Steel
 Insulator : PBT UL94V~0
 Insert Ring : ABS UL94V~0
 Center Pin : Brass
 Frame : Steel



MODEL NO.	RCA-201
SCHEMATIC	



ORDER INFORMATION

Product NO.: **KLS1-RCA-201-N-BK-BK**

Pos. NO. _____
 RCA Jack Type _____
 N: Nickel Plated _____

Color: BK-BK:Black-Black
 WH-WH:White-White
 RE-RE:Red-Red
 RE-WH:Red-White
 WH-RE:White-Red
 YE-RE:Yellow-Red

RCA JACK Series

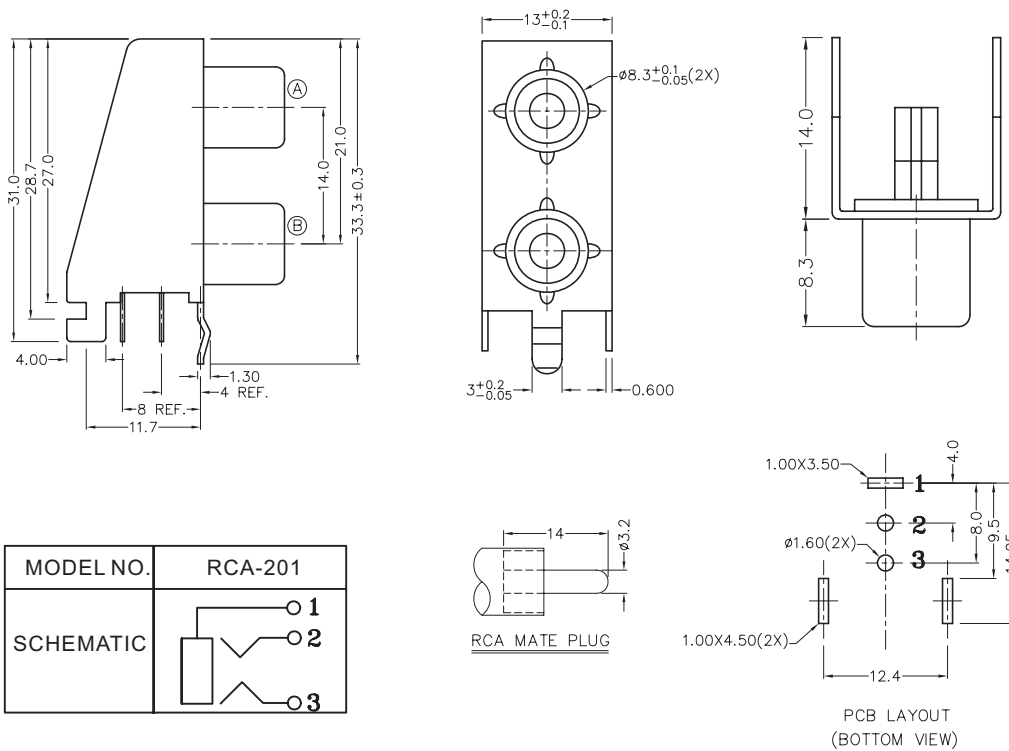
KLS1-RCA-201 Metal R/A PCB Mount Dual RCA Jack

Electrical Specification:

Contact resistance : 30mΩ Max
 Insulation resistance : 50MΩ Min at DC 500V
 Withstand voltage : AC 500V(50Hz) 1min
 Operating Temperature : -25°C~+85°C

Materials:

Barrel : Steel
 Insulator : PBT UL94V~0
 Insert Ring : ABS UL94V~0
 Center Pin : Brass
 Frame : Steel



ORDER INFORMATION

Product NO.: **KLS1-RCA-201-G-BK-BK**

Pos. NO. _____
 RCA Jack Type _____
 G:Gold Plated _____
 Color: BK-BK:Black-Black
 WH-WH:White-White
 RE-RE:Red-Red
 RE-WH:Red-White
 WH-RE:White-Red
 YE-RE:Yellow-Red