

## RCA JACK Series

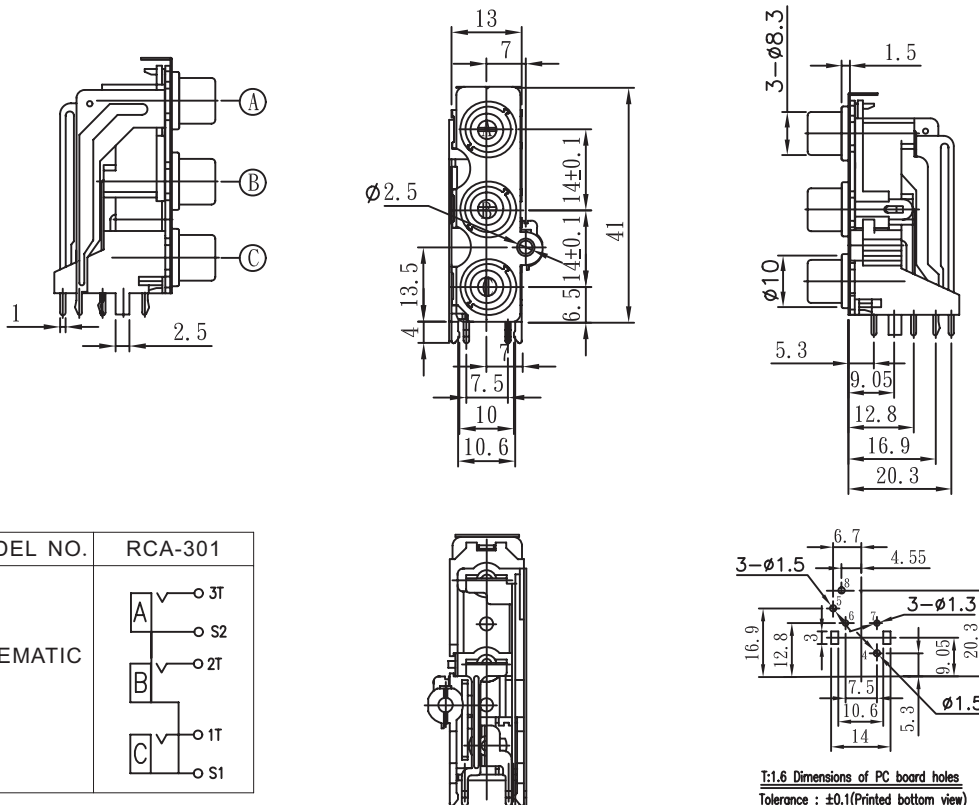
KLS1-RCA-301 R/A PCB Mount 3P RCA Jack

### Electrical Specification:

Contact resistance : 30mΩ Max  
Insulation resistance : 50MΩ Min at DC 500V  
Withstand voltage : AC 500V(50Hz) 1min  
Operating Temperature : -25°C~+85°C

### Materials:

Sealed Plate : Brass  
Terminal : Brass  
Outer Contact : Brass  
Washer : PBT UL94V~0  
Cover : ABS UL94V~0  
Housing : PBT UL94V~0



MODEL NO.	RCA-301
SCHEMATIC	A $\swarrow$ 3T ○ S2
	B $\swarrow$ 2T ○ 2T
	C $\swarrow$ 1T ○ S1

**1:1.6 Dimensions of PC board holes**  
Tolerance : ±0.1(Printed bottom view)  
UNLESS OTHERWISE SPECIFIED, TOLERANCE ON DECIMAL: ±0.3

## ORDER INFORMATION

Product NO.: KLS1-RCA-301-N-YE-WH-RE

Pos. NO. \_\_\_\_\_ Color: YE-WH-RE:  
Yellow-White-Red  
RCA Jack Type \_\_\_\_\_  
G:Nickel Plated \_\_\_\_\_

