

## RCA JACK Series

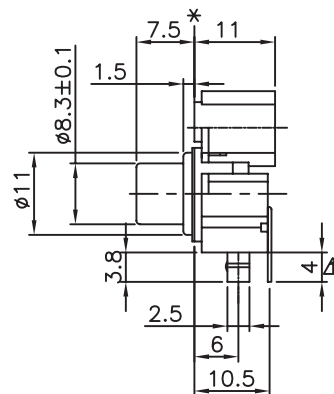
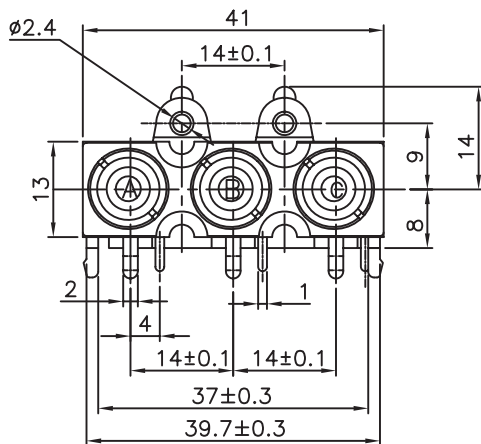
KLS1-RCA-303 R/A PCB Mount RCA Jack

### Electrical Specification:

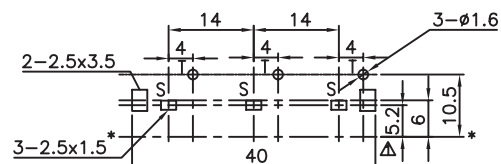
Contact resistance : 30mΩ Max  
Insulation resistance : 50MΩ Min at DC 500V  
Withstand voltage : AC 500V(50Hz) 1min  
Operating Temperature : -25°C~+85°C

### Materials:

Sealed Plate : Brass  
Terminal : Brass  
Outer Contact : Brass  
Washer : PBT UL94V~0  
Cover : ABS UL94V~0  
Housing : PBT UL94V~0



MODEL NO.	RCA-303
SCHEMATIC	



T:1.6 Dimensions of PC board holes

Tolerance : ±0.1(Printed-Top view)

UNLESS OTHERWISE SPECIFIED, TOLERANCE ON DECIMAL: ±0.3

## ORDER INFORMATION

Product NO.: KLS1-RCA-303-N-GR-BL-RE

Pos. NO. \_\_\_\_\_ Color: GR-BL-RE:  
Green-Blue-Red  
RCA Jack Type \_\_\_\_\_  
G:Nickel Plated \_\_\_\_\_

## RCA JACK Series

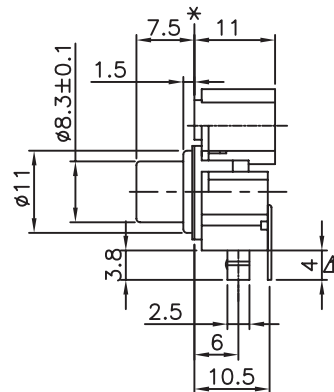
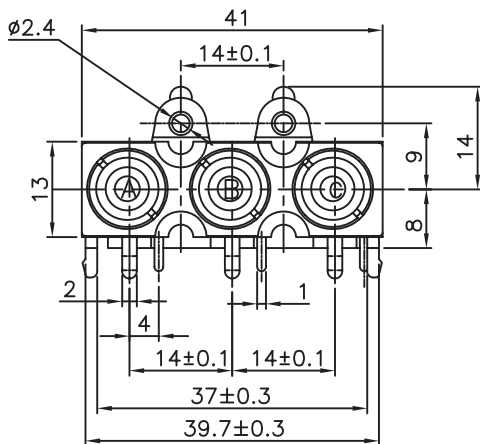
KLS1-RCA-303B R/A PCB Mount RCA Jack

### Electrical Specification:

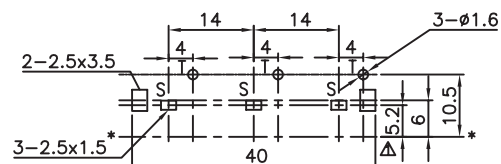
Contact resistance : 30mΩ Max  
Insulation resistance : 50MΩ Min at DC 500V  
Withstand voltage : AC 500V(50Hz) 1min  
Operating Temperature : -25°C~+85°C

### Materials:

Terminal : Brass  
Outer Contact : Brass  
Washer : PBT UL94V~0  
Cover : ABS UL94V~0  
Housing : PBT UL94V~0



MODEL NO.	RCA-303B
SCHEMATIC	



T:1.6 Dimensions of PC board holes

Tolerance : ±0.1(Printed-Top view)

UNLESS OTHERWISE SPECIFIED, TOLERANCE ON DECIMAL: ±0.3

## ORDER INFORMATION

Product NO.: KLS1-RCA-303B-N-GR-BL-RE

Pos. NO. \_\_\_\_\_ Color: GR-BL-RE:  
RCA Jack Type \_\_\_\_\_ Green-Blue-Red  
G:Nickel Plated \_\_\_\_\_