

RCA JACK Series

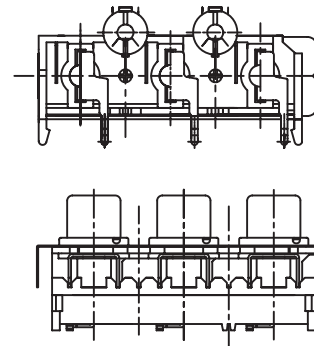
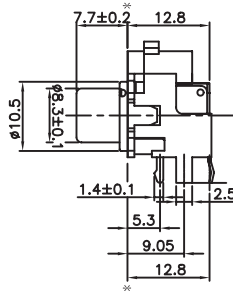
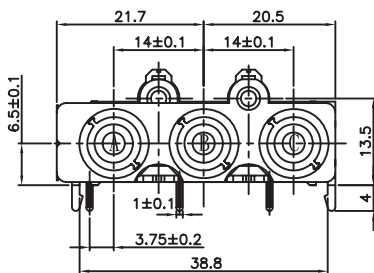
KLS1-RCA-305 R/A PCB Mount RCA Jack

Electrical Specification:

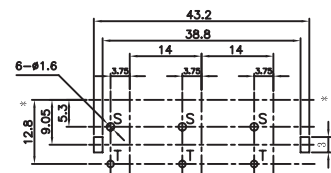
Contact resistance : 30mΩ Max
 Insulation resistance : 50MΩ Min at DC 500V
 Withstand voltage : AC 500V(50Hz) 1min
 Operating Temperature : -25°C~+85°C

Materials:

Sealed Plate : Brass
 Terminal : Brass
 Outer Contact : Brass
 Washer : PBT UL94V~0
 Cover : ABS UL94V~0
 Housing : PBT UL94V~0



MODEL NO.	RCA-305
SCHEMATIC	



T:1.6 Dimensions of PC board holes

Tolerance : ±0.1(Printed-bottom view)

UNLESS OTHERWISE SPECIFIED, TOLERANCE ON DECIMAL: ±0.3

ORDER INFORMATION

Product NO.: KLS1-RCA-305-N-WH-RE-YE

Pos. NO. _____ Color: WH-RE-YE:
 RCA Jack Type _____ White-Red-Yellow
 G:Nickel Plated _____

RCA JACK Series

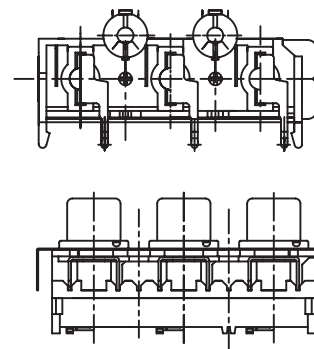
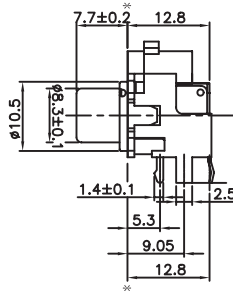
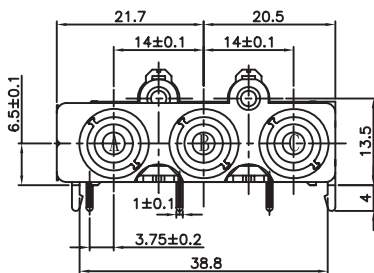
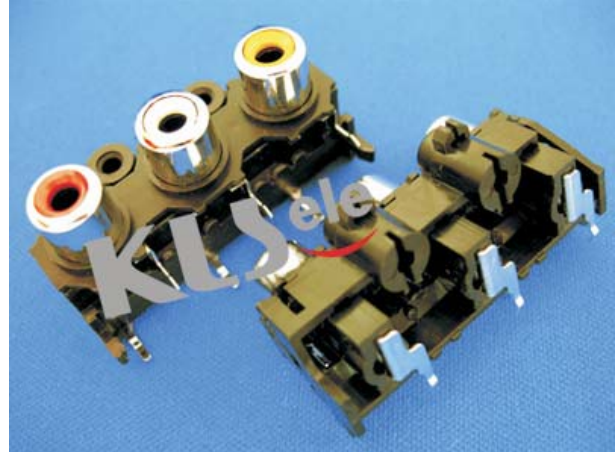
KLS1-RCA-305B R/A PCB Mount RCA Jack

Electrical Specification:

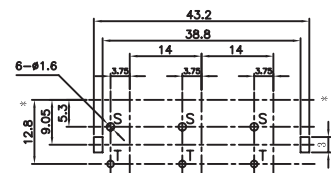
Contact resistance : 30mΩ Max
Insulation resistance : 50MΩ Min at DC 500V
Withstand voltage : AC 500V(50Hz) 1min
Operating Temperature : -25°C~+85°C

Materials:

Terminal : Brass
Outer Contact : Brass
Washer : PBT UL94V~0
Cover : ABS UL94V~0
Housing : PBT UL94V~0



MODEL NO.	RCA-305B
SCHEMATIC	



T:1.6 Dimensions of PC board holes

Tolerance : ±0.1(Printed-bottom view)

UNLESS OTHERWISE SPECIFIED, TOLERANCE ON DECIMAL: ±0.3

ORDER INFORMATION

Product NO.: KLS1-RCA-305B-N-RE-WH-YE

Pos. NO. _____ Color: RE-WH-YE:
RCA Jack Type _____ Red-White-Yellow
G:Nickel Plated _____