

RCA JACK Series

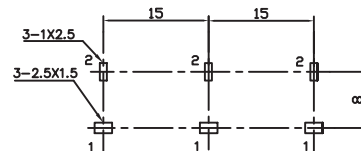
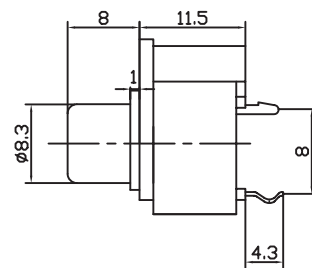
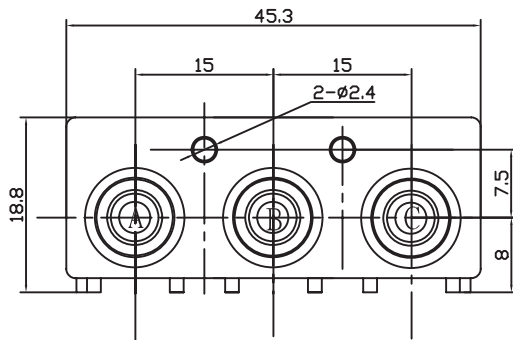
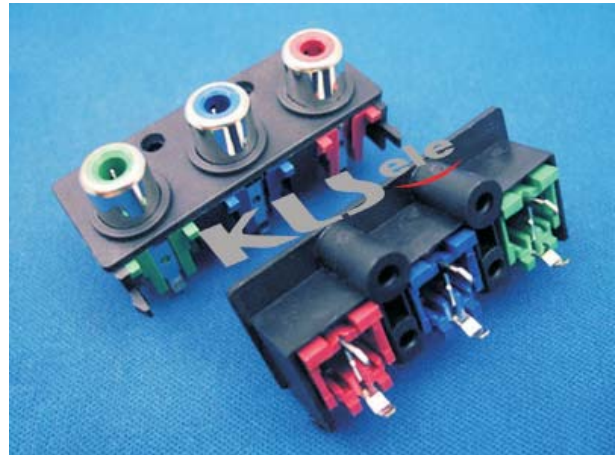
KLS1-RCA-308 Vertical PCB Mount RCA Jack

Electrical Specification:

Contact resistance : 30mΩ Max
Insulation resistance : 50MΩ Min at DC 500V
Withstand voltage : AC 500V(50Hz) 1min
Operating Temperature : -25°C~+85°C

Materials:

Outer Contact : Brass
Terminal : Brass
Cover : ABS UL94V~0
Washer : PBT UL94V~0
Housing : PBT UL94V~0



| | | | |
|-----------|---------|--|--|
| MODEL NO. | RCA-308 | | |
| SCHEMATIC | | | |

T:1.6 Dimensions of PC board holes
Tolerance : ±0.1(Printed-top view)

UNLESS OTHERWISE SPECIFIED, TOLERANCE ON DECIMAL:±0.3

ORDER INFORMATION

Product NO.: KLS1-RCA-308-N-GR-BL-RE

Pos. NO. _____
RCA Jack Type _____
G:Nickel Plated _____
Color: GR-BL-RE:
Green-Blue-Red