

RCA JACK Series

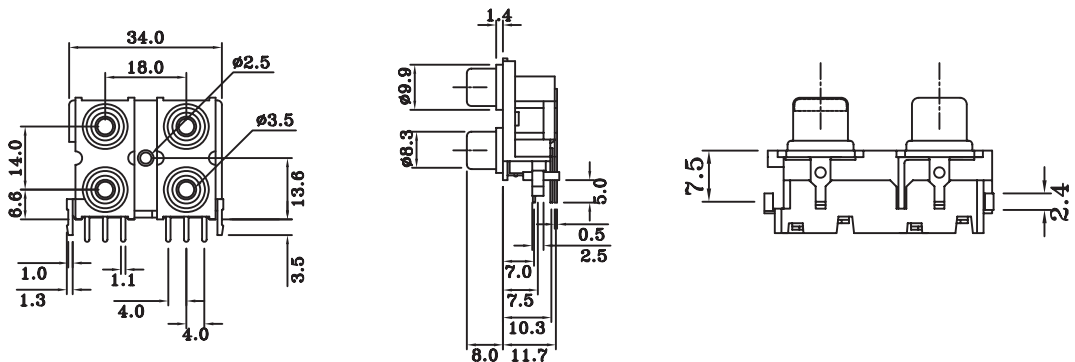
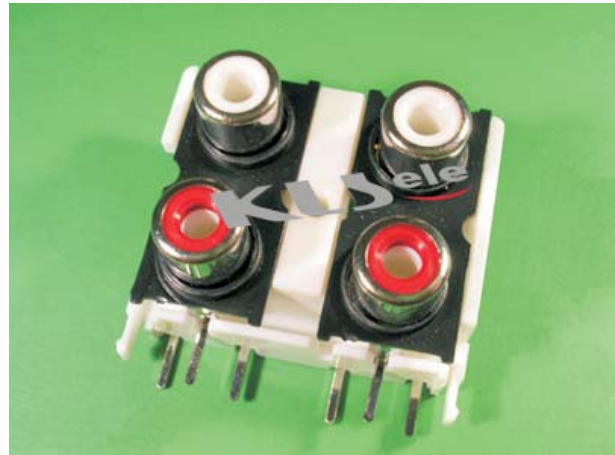
KLS1-RCA-402 R/A PCB Mount Quad 2X2 RCA Jack

Electrical Specification:

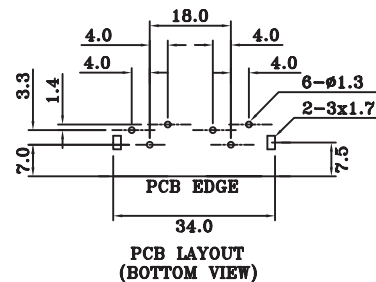
Contact resistance : 30mΩ Max
Insulation resistance : 50MΩ Min at DC 500V
Withstand voltage : AC 500V(50Hz) 1min
Operating Temperature : -25°C~+85°C

Materials:

Barrel : Brass
Top Terminal : Brass
Bottom Terminal : Brass
Top Cover : ABS UL94V~0
Insert Ring : PBT UL94V~0
Housing : PBT UL94V~0



MODEL NO.	RCA-402	
SCHEMATIC	TOP	BOTTOM



ORDER INFORMATION

Product NO.: KLS1-RCA-402-N-WH-WH-RE-RE

Pos. NO. _____
RCA Jack Type _____
G:Nickel Plated _____

Color :
WH-WH-RE-RE : White-White-Red-Red
RE-RE-WH-WH : Red-Red-White-White
WH-BK-RE-YE : White-Black-Red-Yellow
OR-WH-YL-RE : Orange-White-Yellow-Red

