

## Stereo Jack Series

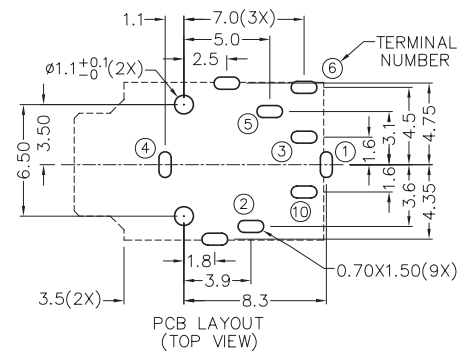
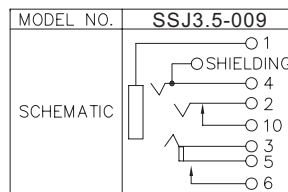
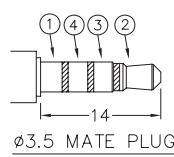
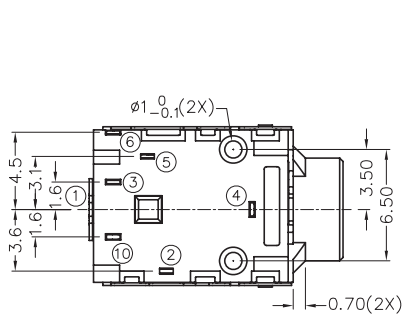
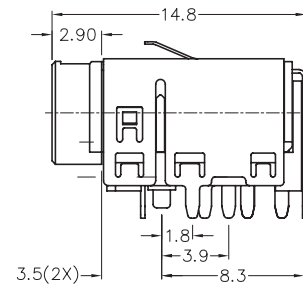
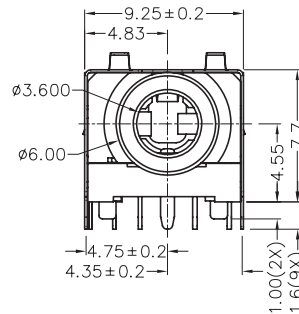
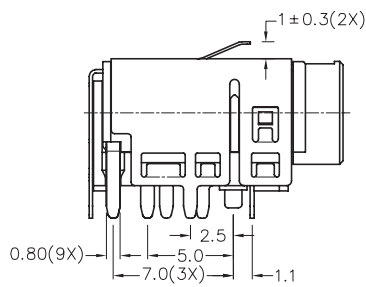
### KLS1-SSJ3.5-009 (Dip Stereo Jack)

#### Technical parameters:

Rated voltage: DC 30 V  
 Rated current: 0.5 A  
 Contact resistance: 0.03Ω, max  
 Insulation resistance: 100MΩ, min  
 Pressure: AC500V (50Hz) / 1minute  
 Insertion Force :2-20 N  
 Life: 50000 times  
 Operating Temperature:-30°C ~ 70°C

#### Material:

Terminal 1 : Copper Alloy  
 Terminal 2 : Copper Alloy  
 Terminal 3 : Copper Alloy  
 Terminal 4 : Copper Alloy  
 Terminal 5 : Copper Alloy  
 Terminal 6 : Copper Alloy  
 Terminal 10: Brass  
 Housing : Pa66  
 Shield : Stainless Steel



## ORDER INFORMATION

Product NO.: KLS1-SSJ3.5-009

