



Stereo Jack Series

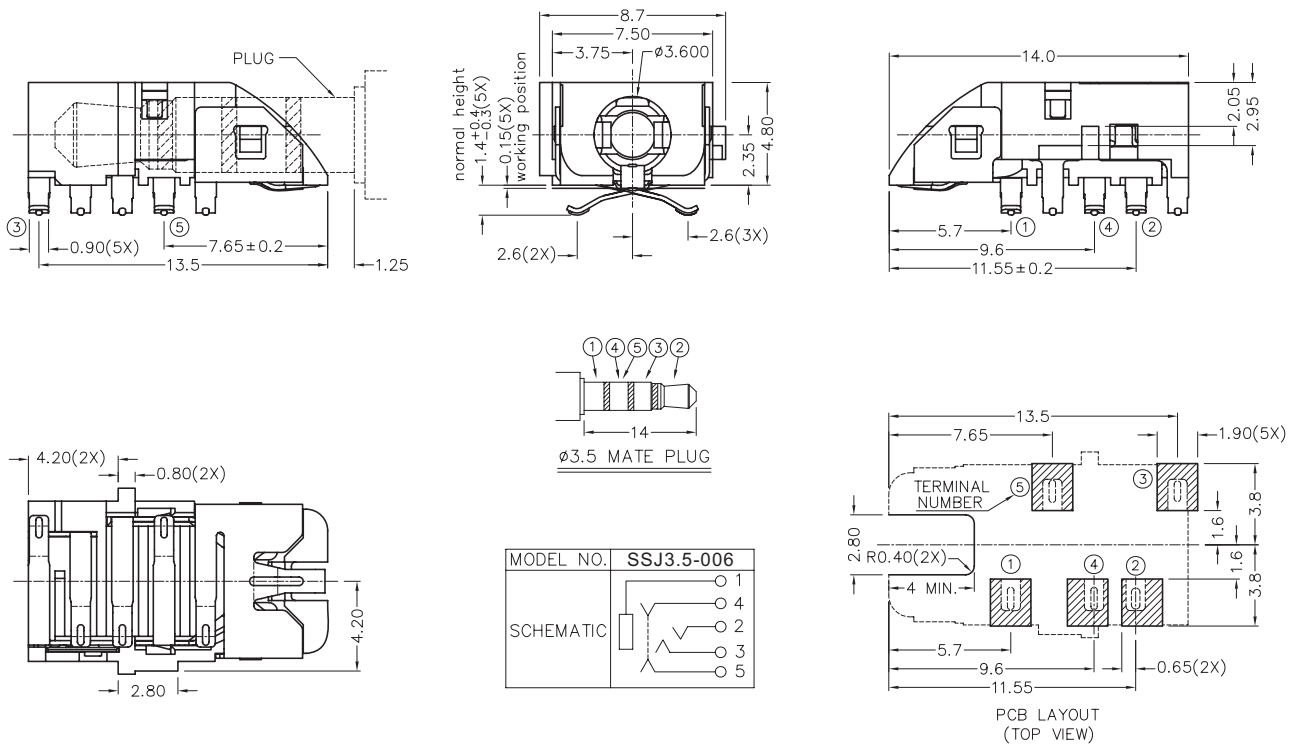
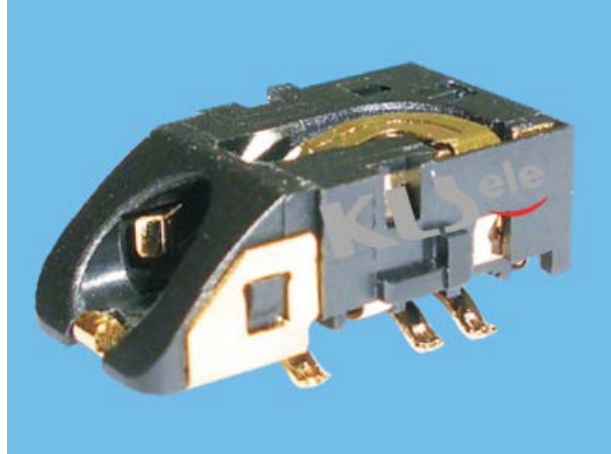
KLS1-SSJ3.5-006 (Dip Stereo Jack)

Technical parameters:

Rated voltage: DC 30 V
 Rated current: 0.5 A
 Contact resistance: 0.03Ω, max
 Insulation resistance: 100MΩ, min
 Pressure: AC500V (50Hz) / 1minute
 Insertion Force :2-20 N
 Life: 50000 times
 Operating Temperature:-30°C ~ 70°C

Material:

Terminal 1 : Copper Alloy
 Terminal 2 : Copper Alloy
 Terminal 3 : Copper Alloy
 Terminal 4 : Copper Alloy
 Terminal 5 : Copper Alloy
 Spring : Copper Alloy
 Housing : PA6T



MODEL NO.	SSJ3.5-006
SCHEMATIC	○ 1
	○ 4
	○ 2
	○ 3
	○ 5

ORDER INFORMATION

Product NO.: KLS1-SSJ3.5-006

