

## Stereo Jack Series

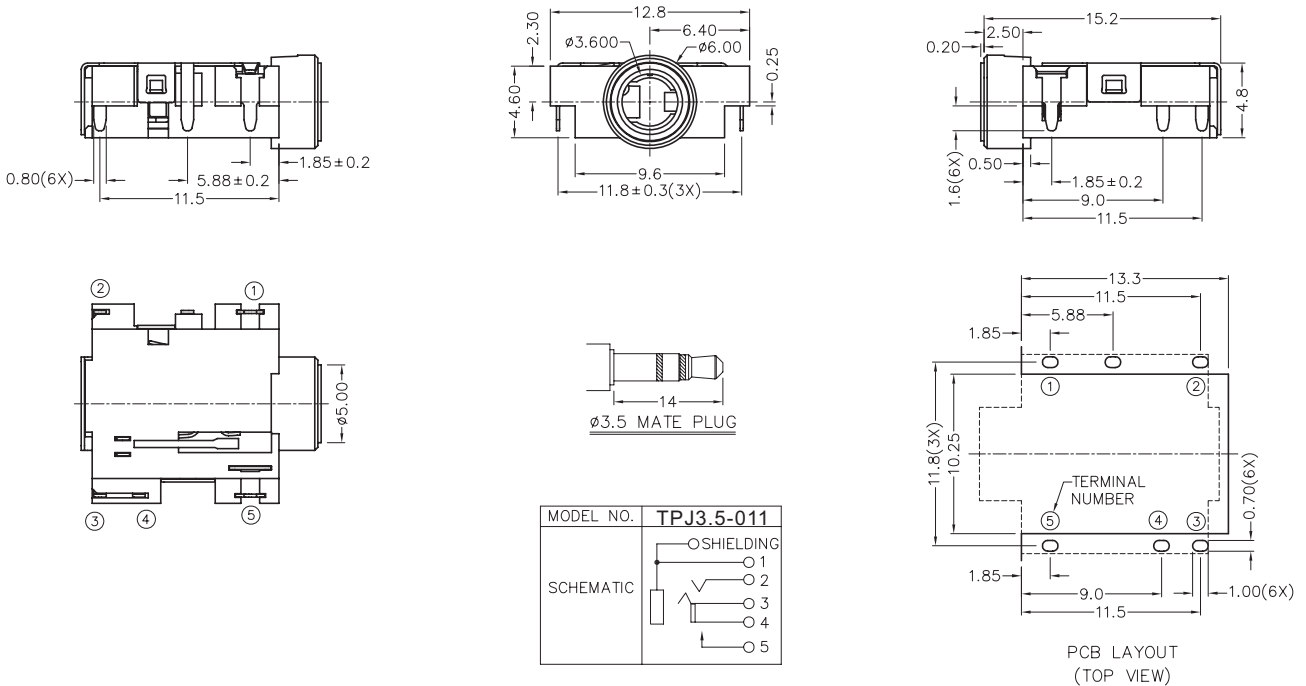
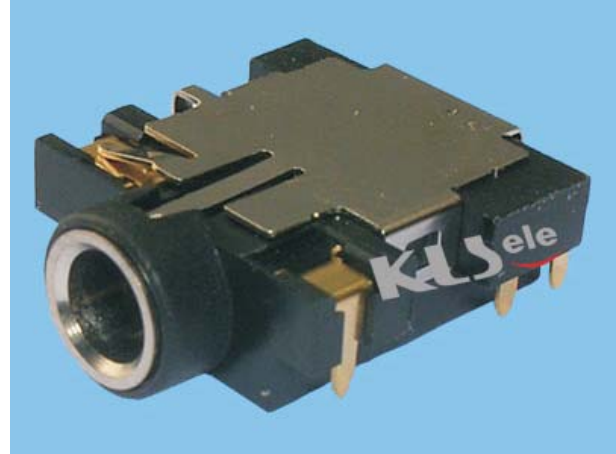
### KLS1-TPJ3.5-011 (SMD Stereo Jack)

**Technical parameters:**

Rated voltage: DC 30 V  
 Rated current: 0.5 A  
 Contact resistance: 0.03Ω, max  
 Insulation resistance: 100MΩ, min  
 Pressure: AC500V (50Hz) / 1minute  
 Insertion Force :2-20 N  
 Life: 50000 times  
 Operating Temperature:-30°C ~ 70°C

**Material:**

- Terminal 1 : Copper Alloy
- Terminal 2 : Copper Alloy
- Terminal 3 : Copper Alloy
- Terminal 4 : Copper Alloy
- Terminal 5 : Copper Alloy
- Shield : Copper Alloy
- Bushing : Brass
- Housing : PA9T



## ORDER INFORMATION

Product NO.: KLS1-TPJ3.5-011

